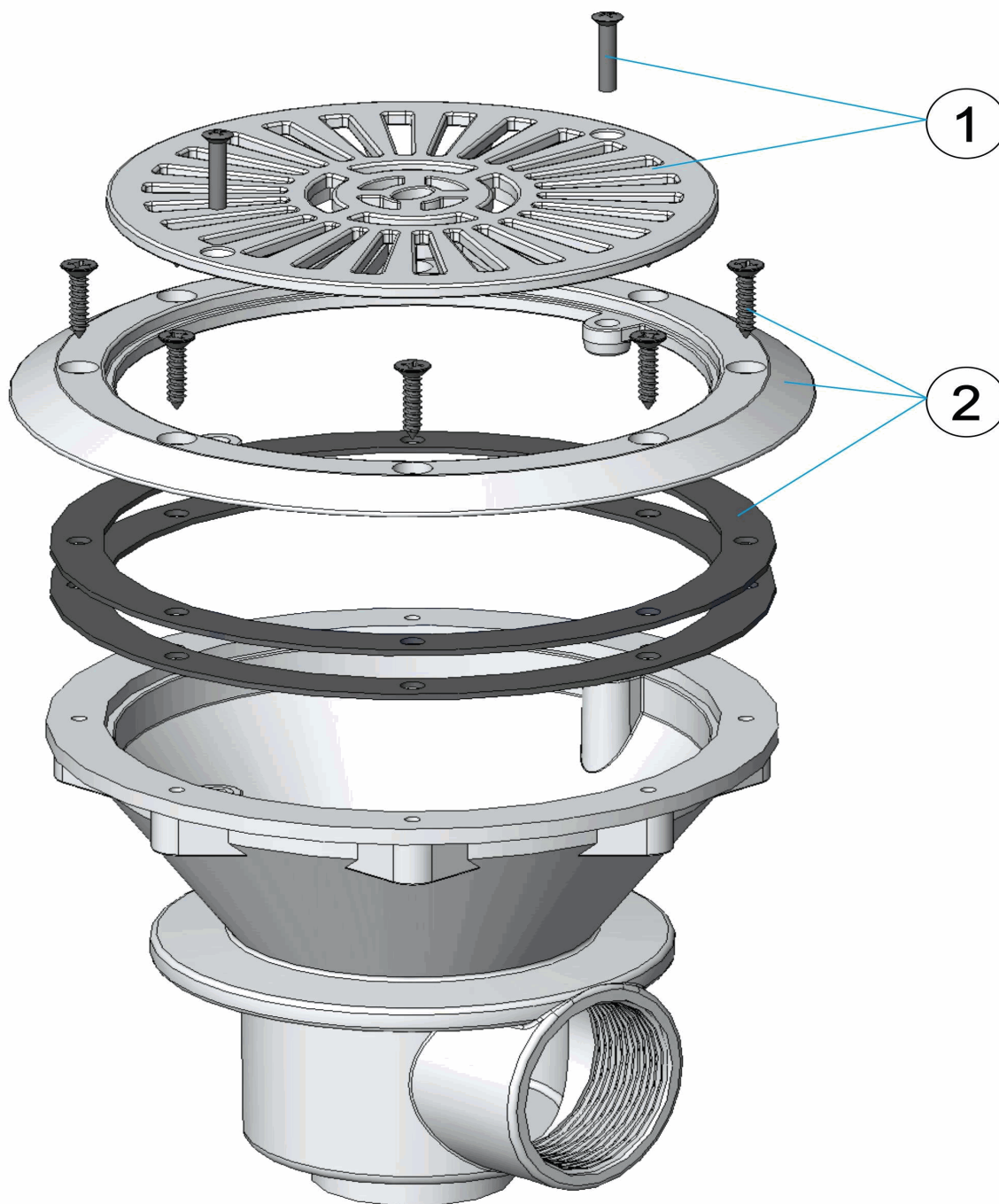


CODE **00271, 00271CL090, 00271CL129, 00271CL144**

DESCRIPTION: **DRAIN D.210 PP S. SIDE OUTLET 2" BS "**



POS	CODE	DESCRIPTION	QUANTITY	POS	CODE	DESCRIPTION	QUANTITY
1	* 4402021102	2' DRAIN GRILLE LINER		2	* 4402021101	2' DRAIN FLANGE	
1	* 4402020029	2' DRAIN GRILLE LINER		2	* 4402020030	2' DRAIN FLANGE	
1	* 4402010122	2' DRAIN GRILLE LINER		2	* 4402010123	2' DRAIN FLANGE	
1	* 4402020026	2' DRAIN GRILLE LINER		2	* 4402020027	2' DRAIN FLANGE	

CODE **00271, 00271CL090, 00271CL129, 00271CL144**DESCRIPTION: **DRAIN D.210 PP S. SIDE OUTLET 2" BS "****OBSERVATIONS**

POS	CODE	OBSERVATIONS
1	* 4402021102	FOR: 00271 WHITE
1	* 4402020029	FOR: 00271CL090 BEIGE
1	* 4402010122	FOR: 00271CL129 GREY
1	* 4402020026	FOR: 00271CL144 ANTHRACITE
2	* 4402021101	FOR: 00271 WHITE
2	* 4402020030	FOR: 00271CL090 BEIGE
2	* 4402010123	FOR: 00271CL129 GREY
2	* 4402020027	FOR: 00271CL144 ANTHRACITE