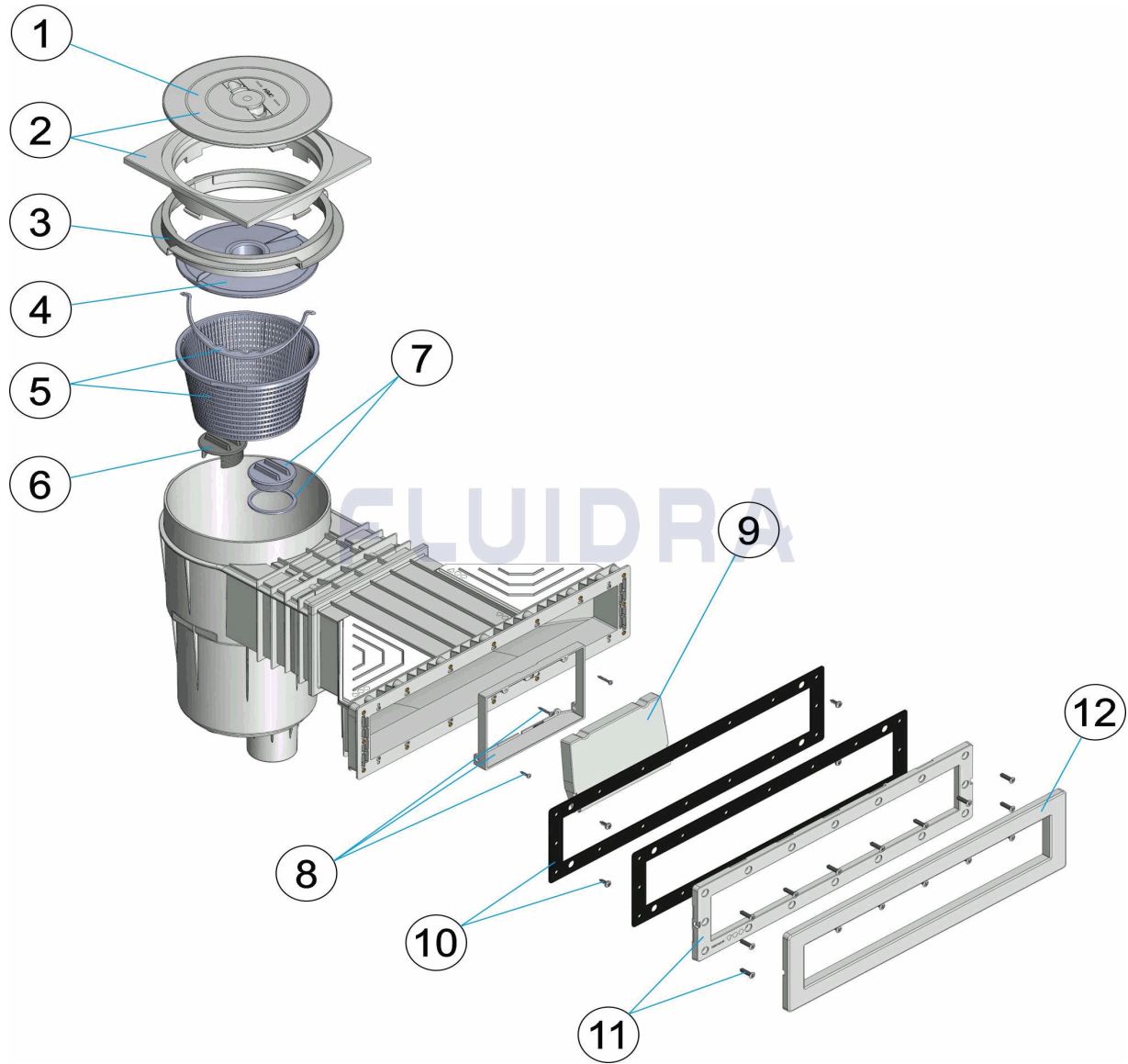


CODE **56176, 56176CL090, 56176CL129, 56176CL144, 56299, 56299CL090, 56299CL129, 56299CL144**

DESCRIPTION: **SKIMMER 17.5 L. 495 X 80 APERTURE WITH/WITHOUT INSERTS**



POS	CODE	DESCRIPTION	QUANTITY	POS	CODE	DESCRIPTION	QUANTITY
1	* 4402010509	SKIMMER LID		7	4402010503	BLANKING PLUG AND 'O' RING	
1	* 4402010064	SKIMMER LID		8	* 4402010508	FLAP FRAME	
1	* 4402010066	SKIMMER LID		8	* 4402010119	FLAP FRAME	
1	* 4402010041	SKIMMER LID		8	* 4402010120	FLAP FRAME	
2	* 4402010510	SQUARE RIM AND LID		8	* 4402010042	FLAP FRAME	
2	* 05280-0700CL090	SQUARE RIM AND LID		9	* 4402010501	SKIMMER FLAP	
2	* 05280-0700CL129	SQUARE RIM AND LID		9	* 4402010076	SKIMMER FLAP	
2	* 05280-0700CL144	SQUARE RIM AND LID		9	* 4402010079	SKIMMER FLAP	
3	* 4402010506	COLLAR EXTENSION RING		9	* 4402010080	SKIMMER FLAP	
3	* 4402010073	COLLAR EXTENSION RING		10	4402010021	ADHESIVE GASKET 495 X 80 APERTURE	
3	* 4402010075	COLLAR EXTENSION RING		11	* 4402010022	FLANGE 495 X 80 APERTURE WITH INSERT	
3	* 4402010039	COLLAR EXTENSION RING		11	* 4402010024	FLANGE 495 X 80 APERTURE WITHOUT INS	

CODE **56176, 56176CL090, 56176CL129, 56176CL144, 56299, 56299CL090, 56299CL129, 56299CL144**

DESCRIPTION: **SKIMMER 17.5 L. 495 X 80 APERTURE WITH/WITHOUT INSERTS**

4	4402010505	VACUUM PLATE	11	* 4402010136	FLANGE 495 X 80 APERTURE WITH INSERT
5	4402010504	BASKET 17,5 LITRES	11	* 4402010140	FLANGE 495 X 80 APERTURE WITHOUT INS
6	4402010502	REGULATING PLUG	11	* 4402010137	FLANGE 495 X 80 APERTURE WITH INSERT
11	* 4402010141	FLANGE 495 X 80 APERTURE WITHOUT IN:	12	* 4402010138	PLATE 495 X 80 APERTURE
11	* 4402010089	FLANGE 495 X 80 APERTURE WITH INSER	12	* 4402010139	PLATE 495 X 80 APERTURE
11	* 4402010142	FLANGE 495 X 80 APERTURE WITHOUT IN:	12	* 4402010087	PLATE 495 X 80 APERTURE
12	* 4402010023	PLATE 495 X 80 APERTURE			

CODE **56176, 56176CL090, 56176CL129, 56176CL144, 56299, 56299CL090, 56299CL129, 56299CL144**

DESCRIPTION: **SKIMMER 17.5 L. 495 X 80 APERTURE WITH/WITHOUT INSERTS**

OBSERVATIONS

POS	CODE	OBSERVATIONS
1	* 4402010509	FOR: 56176, 56299 WHITE
1	* 4402010064	FOR: 56176CL090, 56299CL090 BEIGE
1	* 4402010066	FOR: 56176CL129, 56299CL129 GREY
1	* 4402010041	FOR: 56176CL144, 56299CL144 ANTHRACITE
2	* 4402010510	FOR: 56176, 56299 WHITE
2	* 05280-0700CL090	FOR: 56176CL090, 56299CL090 BEIGE
2	* 05280-0700CL129	FOR: 56176CL129, 56299CL129 GREY
2	* 05280-0700CL144	FOR: 56176CL144, 56299CL144 ANTHRACITE
3	* 4402010506	FOR: 56176, 56299 WHITE
3	* 4402010073	FOR: 56176CL090, 56299CL090 BEIGE
3	* 4402010075	FOR: 56176CL129, 56299CL129 GREY
3	* 4402010039	FOR: 56176CL144, 56299CL144 ANTHRACITE
8	* 4402010508	FOR: 56176, 56299 WHITE
8	* 4402010119	FOR: 56176CL090, 56299CL090 BEIGE
8	* 4402010120	FOR: 56176CL129, 56299CL129 GREY
8	* 4402010042	FOR: 56176CL144, 56299CL144 ANTHRACITE
9	* 4402010501	FOR: 56176, 56299 WHITE
9	* 4402010076	FOR: 56176CL090, 56299CL090 BEIGE
9	* 4402010079	FOR: 56176CL129, 56299CL129 GREY
9	* 4402010080	FOR: 56176, 56299 ANTHRACITE
11	* 4402010022	FOR: 56176 WHITE
11	* 4402010024	FOR: 56299 WHITE
11	* 4402010136	FOR: 56176CL090 BEIGE
11	* 4402010140	FOR: 56299CL090 BEIGE
11	* 4402010137	FOR: 56176CL129 GREY
11	* 4402010141	FOR: 56299CL129 GREY
11	* 4402010089	FOR: 56176CL144 ANTHRACITE
11	* 4402010142	FOR: 56299CL144 ANTHRACITE
12	* 4402010023	FOR: 56176, 56299 WHITE
12	* 4402010138	FOR: 56176CL090, 56299CL090 BEIGE
12	* 4402010139	FOR: 56176CL129, 56299CL129 GREY
12	* 4402010087	FOR: 56176CL144, 56299CL144 ANTHRACITE