

PVC-U Spring check valves CV
PVC-U Valvole di ritegno a molla CV

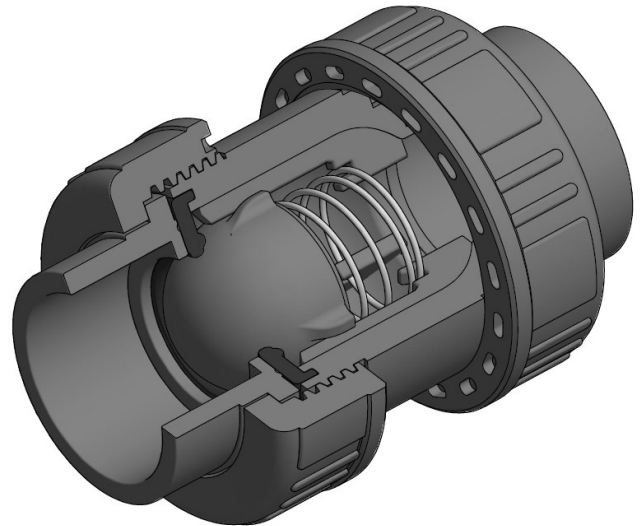
PVC-U True union spring check valves CV

PVC-U Valvole di ritegno bighiera a molla CV

EFFAST CV valve is a PVC-U spring check valve ideal for use in applications that require precise closure and noiseless movement. CV check valve is suitable for use in water treatment, SPAs and pools.

Le valvole EFFAST serie CV sono valvole di ritegno a molla in PVC-U, ideali per applicazioni che richiedono una chiusura precisa e movimenti silenziosi. Le valvole di non ritorno CV sono adatte per utilizzo nei settori del trattamento acque, delle SPA e delle piscine.

- Suitable for vertical and horizontal installation.
Adatta per installazione orizzontale e verticale.
- Stainless Steel spring; PTFE coated spring on request.
Molla in acciaio Inox e, su richiesta, con rivestimento in PTFE.
- EPDM or FKM seals available.
Disponibile con guarnizioni in EPDM o FKM.
- Transparent PVC body available, for easier inspection of the plant.
Disponibile con corpo trasparente, per una più facile ispezione dell'impianto.
- Marine Application Certificate.
Certificata per applicazioni navali.



TECHNICAL FEATURES / CARATTERISTICHE TECNICHE

NOMINAL PRESSURE / <i>PRESSIONE NOMINALE</i>	DN 15-65, d.16-90 mm (1/2"-4"): PN 16 DN 80, d.100: PN 10
DIMENSIONS / <i>DIMENSIONI</i>	DN 15 ÷ DN 80 (d.16 ÷ 110 mm – 1/2" ÷ 4")
VALVE MATERIAL / <i>MATERIALE VALVOLA</i>	PVC-U
SEALS MATERIAL / <i>MATERIALE GUARNIZIONI</i>	O-rings: EPDM or FKM / <i>O-ring. EPDM o FKM</i>
SPRING MATERIAL / <i>MATERIALE DELLE MOLLA</i>	Stainless steel. PTFE coated on request. / <i>Acciaio Inox. A richiesta, rivestita PTFE</i>
TEMPERATURE RANGE / <i>TEMPERATURA</i>	0°C ÷ 60°C
COUPLING STANDARDS / <i>GIUNZIONI</i>	Solvent welded sockets: metric, BS / <i>Manicotti incollaggio: metrici, BS</i> Threaded sockets: BSPP / <i>Manicotti filettati BSPP</i> On request: JIS or ASTM solvent welded sockets, NPT threaded sockets / <i>A richiesta: manicotti per incollaggio JIS e ASTM, manicotti filettati NPT</i>



Certifications and approvals: only for items declared on Official Listing or certificates. / *Certificazioni: solo per gli articoli dichiarati nelle Official Listing o nei certificati stessi.*

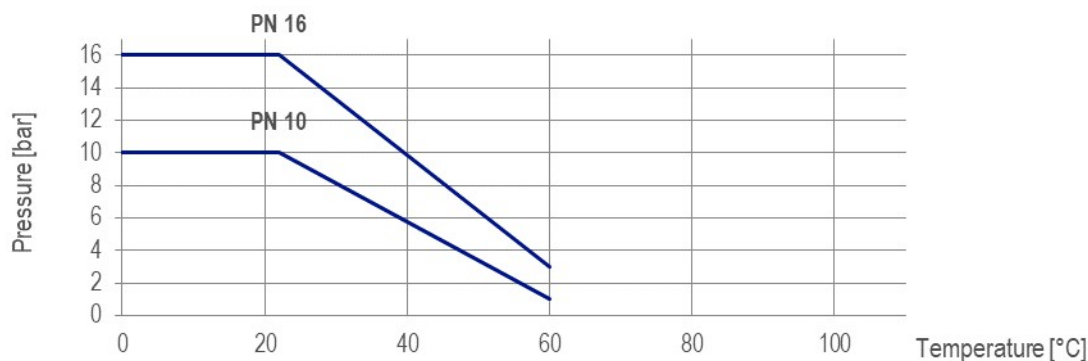
EFFAST

PVC-U True union spring check valves CV PVC-U Valvole di ritegno bighiera a molla CV

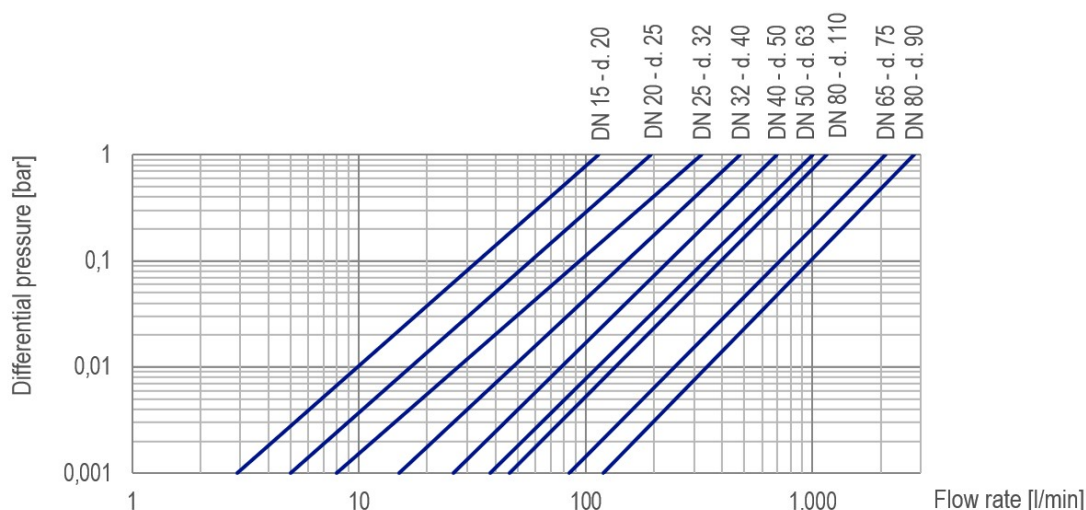
Operating pressure / Pressione di esercizio

Maximum operating pressure for PVC-U: according to temperature as shown in graph.

Massima pressione di esercizio per il PVC-U: secondo quanto indicato nel grafico in figura.



Pressure loss / Perdite di carico



Flow rate coefficient Kv100 / Coefficiente di flusso Kv100

At $\Delta p = 1$ bar. Kv100 flow coefficient is the flow rate of water at 20°C that will generate 1 bar pressure drop. The Kv100 values in the table are calculated for the valve completely open.

Per $\Delta p = 1$ bar. Il coefficiente di flusso Kv 100 è la portata dell'acqua a 20° che genera una caduta di pressione di 1 bar. I valori di Kv100 riportati in tabella sono calcolati per la valvola completamente aperta.

DN	DN 15	DN 20	DN 25	DN 32	DN 40	DN 50	DN 65	DN 80	DN 80
D (mm)	16 - 20	25	32	40	50	63	75	90	110
D (in)	3/8 - 1/2	3/4	1	1 1/4	1 1/2	2	2 1/2	3	4
l/min	114	194	325	482	696	1007	2100	2800	1160

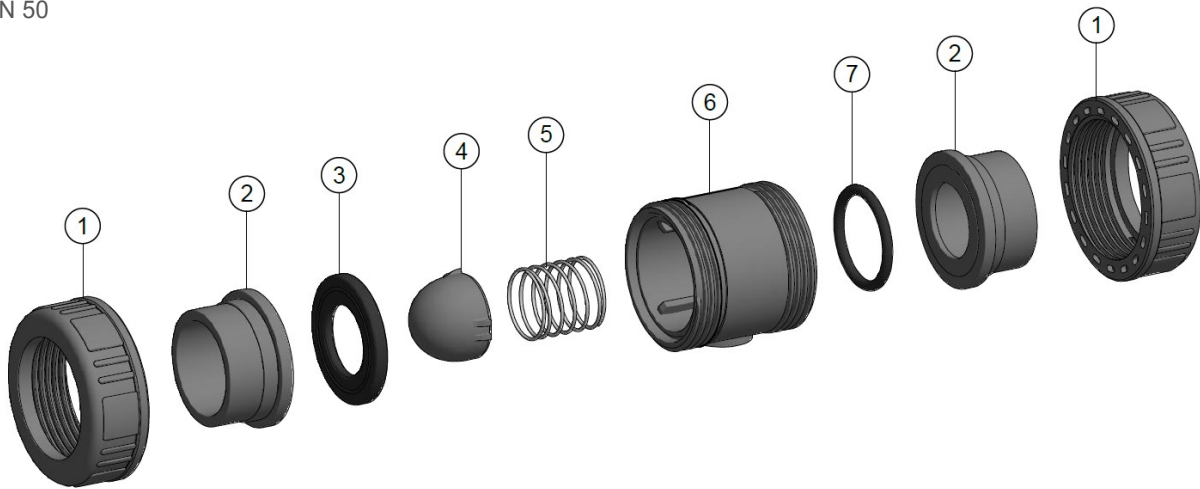
Minimum valve sealing pressure / Pressione minima di tenuta della valvola

DN	DN 15	DN 20	DN 25	DN 32	DN 40	DN 50	DN 65	DN 80	DN 80
D (mm)	16 - 20	25	32	40	50	63	75	90	110
D (in)	3/8 - 1/2	3/4	1	1 1/4	1 1/2	2	2 1/2	3	4
bar	0.08	0.08	0.08	0.08	0.08	0.08	0.08	0.08	0.1

PVC-U True union spring check valves CV PVC-U Valvole di ritegno bighiera a molla CV

Components / Componenti

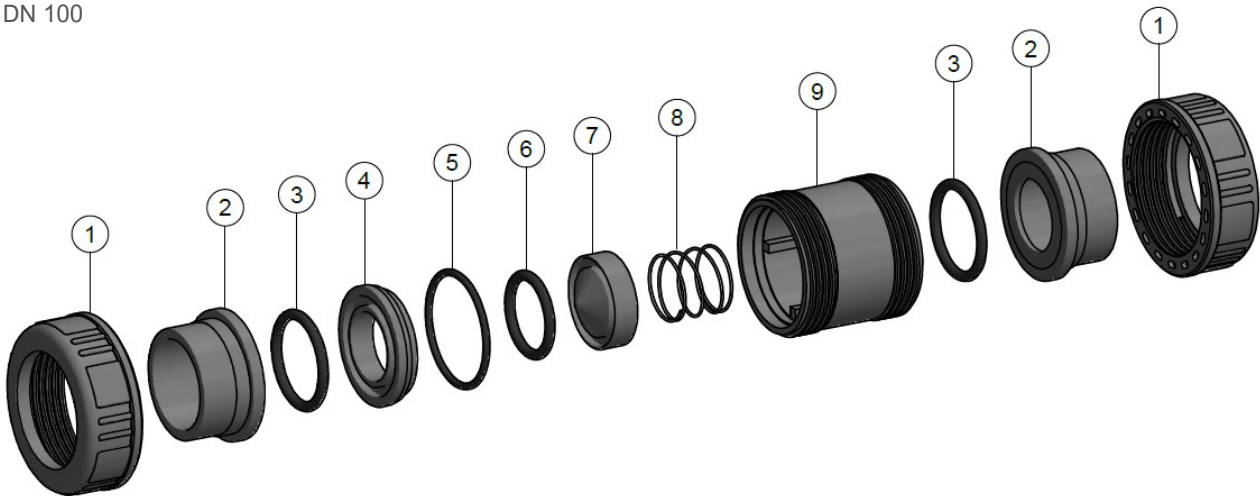
DN 15 - DN 50



n.	COMPONENT	MATERIAL	Qty	n.	COMPONENT	MATERIAL	Qty
1	Nut / Ghiera	PVC-U	2	5	Spring / Molla	SS AISI 302 stearate*	1
2	Socket / Manicotto	PVC-U	2	6	Body / Corpo	PVC-U	1
3	Gasket / Guarnizione	EPDM/FKM	1	7	Socket O-ring / O-ring manicotto	EPDM/FKM	1
4	Plunger / Otturatore	PVC-U	1				

1) On request, PTFE coaten / A richiesta, rivestita PTFE

DN 65 - DN 100

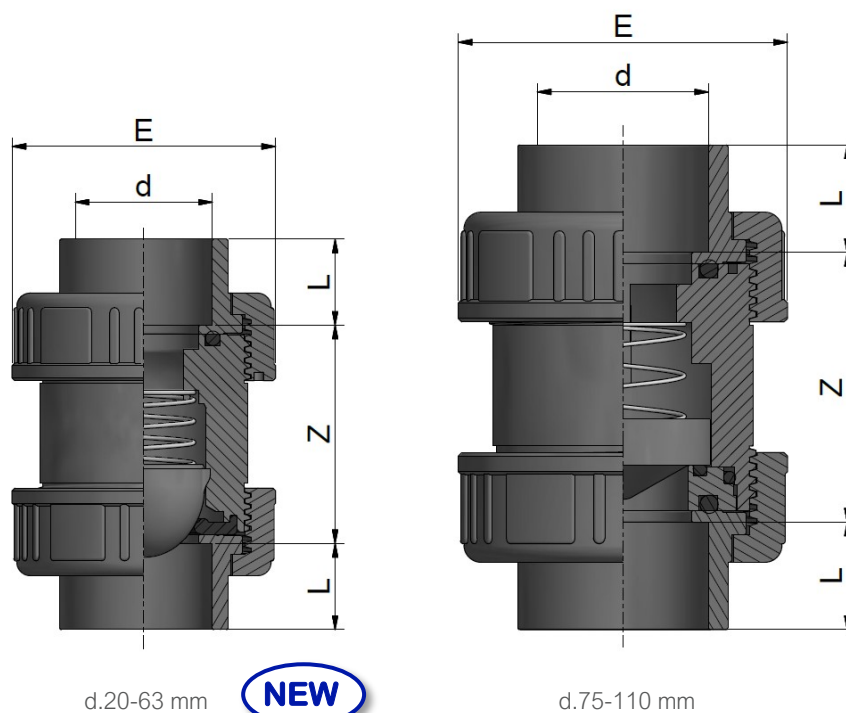


n.	COMPONENT	MATERIAL	Qty	n.	COMPONENT	MATERIAL	Qty
1	Nut / Ghiera	PVC-U	2	6	Plunger O-ring / O-ring otturatore	EPDM/FKM	1
2	Socket / Manicotto	PVC-U	2	7	Plunger / Otturatore	PVC-U	1
3	Socket O-ring / O-ring manicotto	EPDM/FKM	2	8	Spring / Molla	SS or PTFE coated	1
4	Gasket carrier / Supporto guarnizioni	PVC-U	1	9	Body / Corpo	PVC-U	1
5	Body O-ring / O-ring corpo	EPDM/FKM	1				

PVC-U True union spring check valves CV
PVC-U Valvole di ritegno bighiera a molla CV

METRIC SOLVENT WELDED SOCKETS
MANICOTTI METRICI PER INCOLLAGGIO

- Spring: stainless steel / Molla: acciaio INOX
- Seals: EPDM or FKM / Guarnizioni: EPDM o FKM



NEW

Code EPDM	Code FKM	d	DN	L	Z	E	PN	Weight (g)
CDRCVD0200	CDRCVD020V	20	15	16	48	49	16	104
CDRCVD0250	CDRCVD025V	25	20	19	54	60	16	170
CDRCVD0320	CDRCVD032V	32	25	22	62	69	16	251
CDRCVD0400	CDRCVD040V	40	32	26	69	80	16	378
CDRCVD0500	CDRCVD050V	50	40	31	81	96	16	593
CDRCVD0630	CDRCVD063V	63	50	39	94	116	16	1025
CDRCVD0750	CDRCVD075V	75	65	44	141	167	16	2800
CDRCVD0900	CDRCVD090V	90	80	51	140	167	16	3000
CDRCVD1100	CDRCVD110V	110	80	61	157	179	10	5000



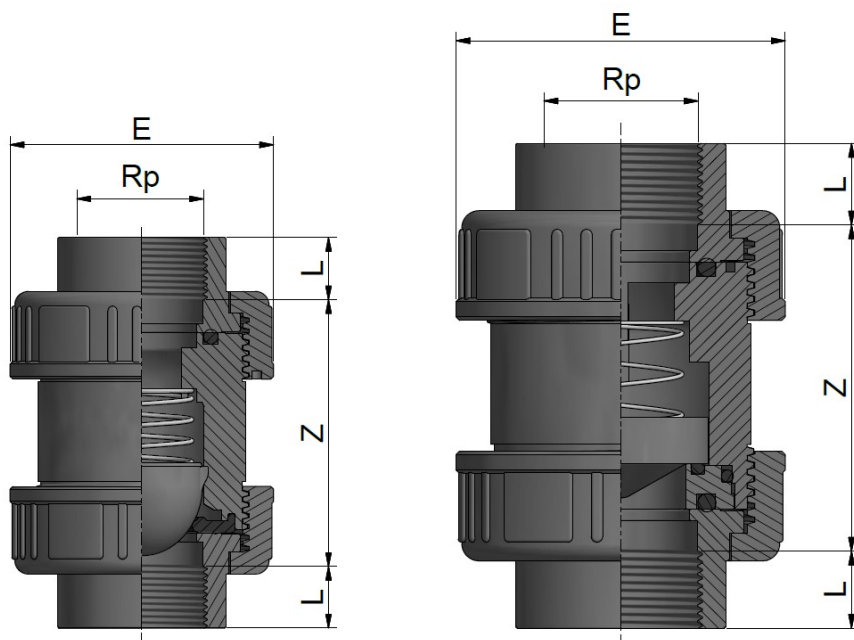
PVC-U True union spring check valves CV

PVC-U Valvole di ritegno bighiera a molla CV

BSPF THREADED SOCKETS

MANICOTTI FILETTATI BSPF

- Thread according to ISO 228-1 / *Filettatura secondo ISO 228-1*
- Spring: PTFE coated stainless steel / *Molla: acciaio inox rivestito PTFE*
- Seals: EPDM or FKM / *Guarnizioni: EPDM o FKM*



d.3/8"-2"

NEW

d.2"1/2-4"

Code EPDM	Code FKM	d	DN	L	Z	E	PN	Weight (g)
CERCVE016A	CERCVE016V	3/8"	15	11,4	57,2	49	16	104
CERCVE020B	CERCVE020V	1/2"	15	15	50	49	16	104
CERCVE025C	CERCVE025V	3/4"	20	16,3	59,4	60	16	170
CERCVE032D	CERCVE032V	1"	25	19,5	67	69	16	251
CERCVE040E	CERCVE040V	1"1/4	32	21,4	78,2	80	16	378
CERCVE050F	CERCVE050V	1"1/2	40	21,4	87,2	96	16	593
CERCVE063G	CERCVE063V	2"	50	25,7	98,6	116	16	1025
CERCVE075H	CERCVE075V	2"1/2	65	30,2	168,6	167	16	2800
CERCVE090I	CERCVE090V	3"	80	33,3	146,4	167	16	3000
CERCVE110I	CERCVE110I	4"	80	39,3	205,4	179	10	5000

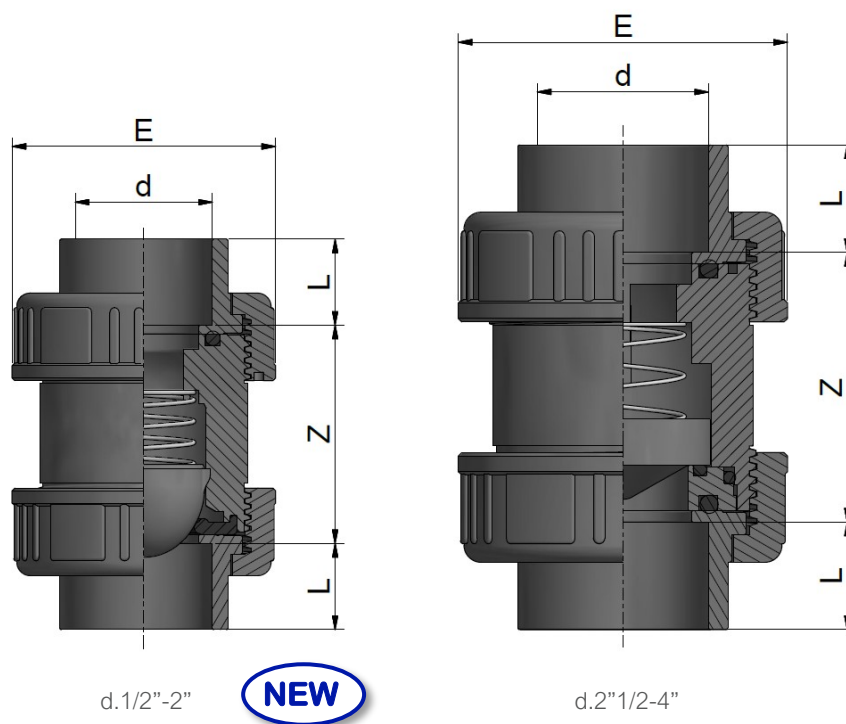


PVC-U True union spring check valves CV

PVC-U Valvole di ritenzione bighiera a molla CV

BS SOLVENT WELDED SOCKETS MANICOTTI BS PER INCOLLAGGIO

- Spring: stainless steel / Molla: acciaio INOX
- Seals: EPDM or FKM / Guarnizioni: EPDM o FKM



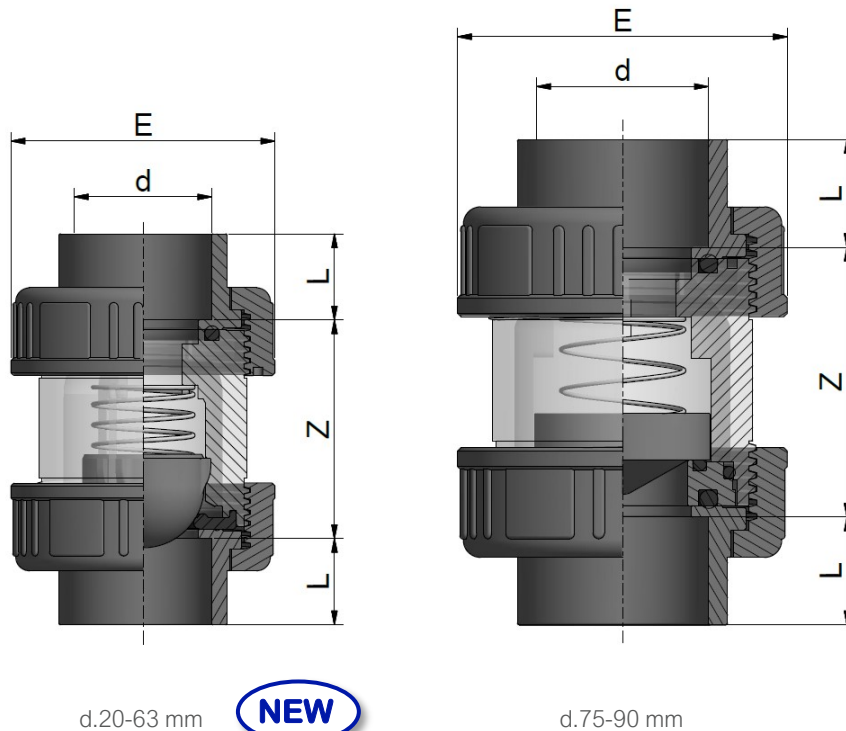
Code EPDM	Code FKM	d	DN	L	Z	E	PN	Weight (g)
CARCVA0200	CARCVA020V	1/2"	15	16	48	49	16	104
CARCVA0250	CARCVA025V	3/4"	20	19	54	60	16	170
CARCVA0320	CARCVA032V	1"	25	22	62	69	16	251
CARCVA0400	CARCVA040V	1"1/4	32	26	69	80	16	378
CARCVA0500	CARCVA050V	1"1/2	40	31	81	96	16	593
CARCVA0630	CARCVA063V	2"	50	39	94	116	16	1025
CARCVA0750	CARCVA075V	2"1/2	65	44	141	167	16	2800
CARCVA0900	CARCVA090V	3"	80	51	140	167	16	3000
CARCVA1100	CARCVA110V	4"	80	61	157	179	10	5000



PVC-U True union spring check valves CV
PVC-U Valvole di ritegno bighiera a molla CV

METRIC SOLVENT WELDED SOCKETS
MANICOTTI METRICI PER INCOLLAGGIO

- Body: transparent PVC-U / *Corpo: PVC-U trasparente*
- Spring: stainless steel / *Molla: acciaio INOX*
- Seals: EPDM / *Guarnizioni: EPDM*



d.20-63 mm



d.75-90 mm

Code EPDM	d	DN	L	Z	E	PN	Weight (g)
CDRCVT0200	20	15	16	48	49	16	104
CDRCVT0250	25	20	19	54	60	16	170
CDRCVT0320	32	25	22	62	69	16	251
CDRCVT0400	40	32	26	69	80	16	378
CDRCVT0500	50	40	31	81	96	16	593
CDRCVT0630	63	50	39	94	116	16	1025
CDRCVT0750	75	65	44	141	167	16	2800
CDRCVT0900	90	80	51	140	167	16	3000



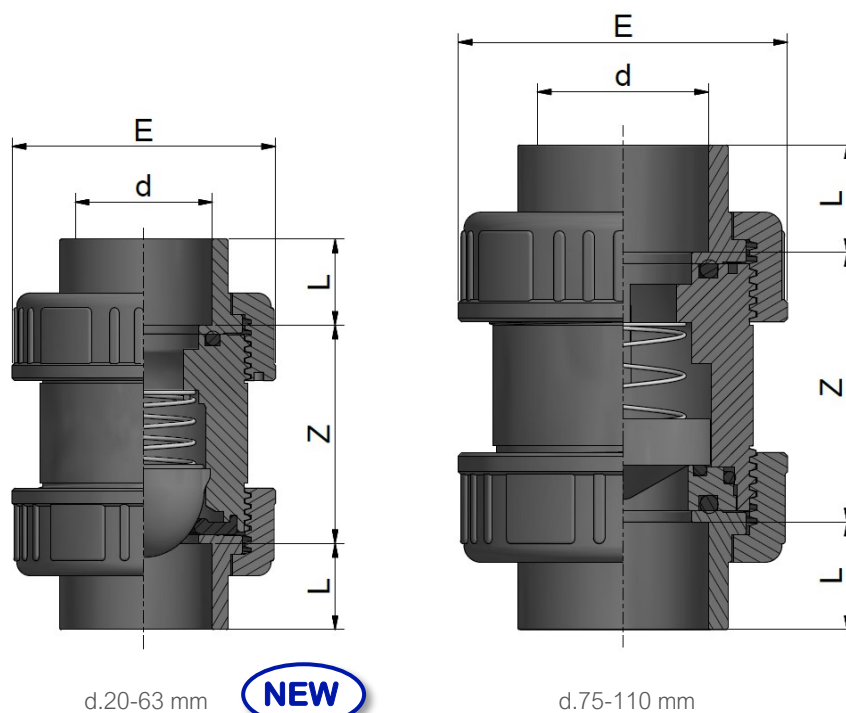
PVC-U True union spring check valves CV

PVC-U Valvole di ritenuto bighiera a molla CV

METRIC SOLVENT WELDED SOCKETS

MANICOTTI METRICI PER INCOLLAGGIO

- Spring: PTFE coated stainless steel / Molla: acciaio inox rivestito PTFE
- Seals: EPDM or FKM / Guarnizioni: EPDM o FKM



Code EPDM	Code FKM	d	DN	L	Z	E	PN	Weight (g)
CDRCVDT0160	CDRCVDT016V	16	15	14,5	51	49	16	104
CDRCVDT0200	CDRCVDT020V	20	15	16	48	49	16	104
CDRCVDT0250	CDRCVDT025V	25	20	19	54	60	16	170
CDRCVDT0320	CDRCVDT032V	32	25	22	62	69	16	251
CDRCVDT0400	CDRCVDT040V	40	32	26	69	80	16	378
CDRCVDT0500	CDRCVDT050V	50	40	31	81	96	16	593
CDRCVDT0630	CDRCVDT063V	63	50	39	94	116	16	1025
CDRCVDT0750	CDRCVDT075V	75	65	44	141	167	16	2800
CDRCVDT0900	CDRCVDT090V	90	80	51	140	167	16	3000
CDRCVDT1100	CDRCVDT110V	110	80	61	157	179	10	5000



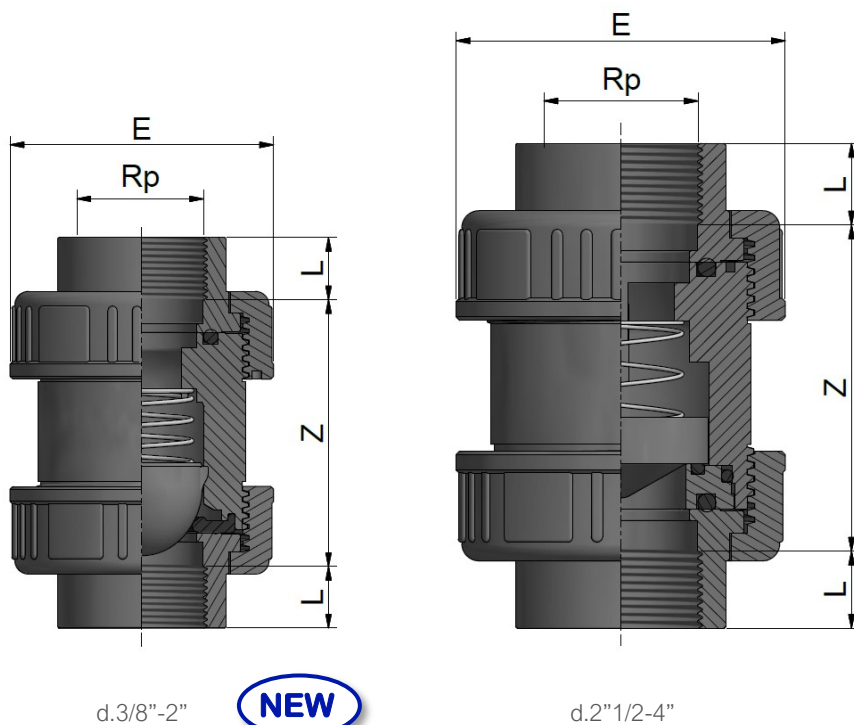
PVC-U True union spring check valves CV

PVC-U Valvole di ritegno bighiera a molla CV

BSP THREADED SOCKETS

MANICOTTI FILETTATI BSPP

- Thread according to ISO 228-1 / Filettatura secondo ISO 228-1
- Spring: PTFE coated stainless steel / Molla: acciaio inox rivestito PTFE



Code EPDM	Code FKM	Rp	DN	L min	Z max	E	PN	Weight (g)
CERCVET016A	CERCVET015V	3/8"	15	11,4	57,2	49	16	104
CERCVET020B	CERCVET020V	1/2"	15	15	50	49	16	104
CERCVET025C	CERCVET025V	3/4"	20	16,3	59,4	60	16	170
CERCVET032D	CERCVET032V	1"	25	19,5	67	69	16	251
CERCVET040E	CERCVET040V	1"1/4	32	21,4	78,2	80	16	378
CERCVET050F	CERCVET050V	1"1/2	40	21,4	87,2	96	16	593
CERCVET063G	CERCVET063V	2"	50	25,7	98,6	116	16	1025
CERCVET075H	CERCVET075V	2"1/2	65	30,2	168,6	167	16	2800
CERCVET090I	CERCVET090V	3"	80	33,3	146,4	167	16	3000
CERCVET110I	CERCVET110I	4"	80	39,3	205,4	179	10	5000

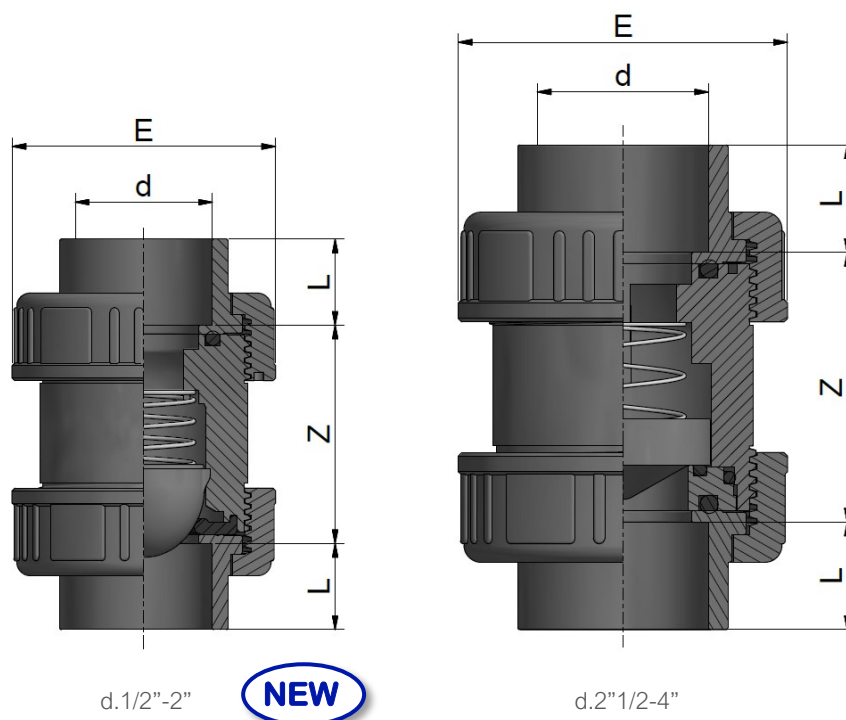


PVC-U True union spring check valves CV

PVC-U Valvole di ritegno bighiera a molla CV

BS SOLVENT WELDED SOCKETS MANICOTTI BS PER INCOLLAGGIO

- Spring: PTFE coated stainless steel / *Molla: acciaio inox rivestito PTFE*
- Seals: EPDM or FKM / *Guarnizioni: EPDM o FKM*



Code EPDM	Code FKM	d	DN	L	Z	E	PN	Weight (g)
CARCVAT0200	CARCVAT020V	1/2"	15	16	48	49	16	104
CARCVAT0250	CARCVAT025V	3/4"	20	19	54	60	16	170
CARCVAT0320	CARCVAT032V	1"	25	22	62	69	16	251
CARCVAT0400	CARCVAT040V	1"1/4	32	26	69	80	16	378
CARCVAT0500	CARCVAT050V	1"1/2	40	31	81	96	16	593
CARCVAT0630	CARCVAT063V	2"	50	39	94	116	16	1025
CARCVAT0750	CARCVAT075V	2"1/2	65	44	141	167	16	2800
CARCVAT0900	CARCVAT090V	3"	80	51	140	167	16	3000
CARCVAT1100	CARCVAT110V	4"	80	61	157	179	10	5000



All descriptions and illustrations in this publication are intended for guidance only and shall not constitute a 'sale by description'. All dimensions given are nominal, while changes can be done on the information, products and specifications from time to time for a variety of reasons, without prior notice. The information in this publication is provided 'as is' on the revision date stated on the sheet. Updates will not be issued automatically. This information is not intended to have any legal effect, whether by way of advice, representation or warranty (express or implied). We accept no liability whatsoever (to the extent permitted by law) if you place any reliance on this publication you must do so at your own risk. All rights reserved. Copyright in this publication belongs to Polypipe Italia and all such copyright may not be used, sold, copied or reproduced in whole or part in any manner in any media to any person without prior consent. **EFFAST** is a registered trademark.