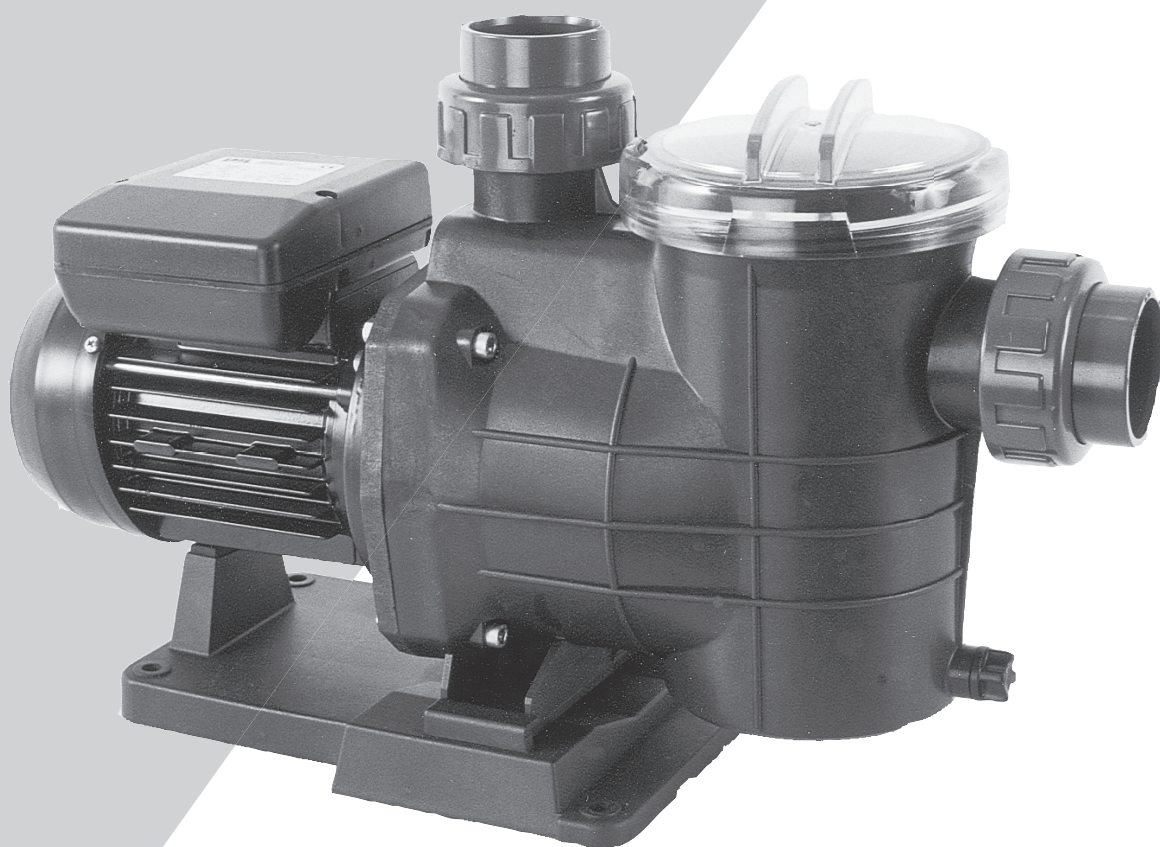
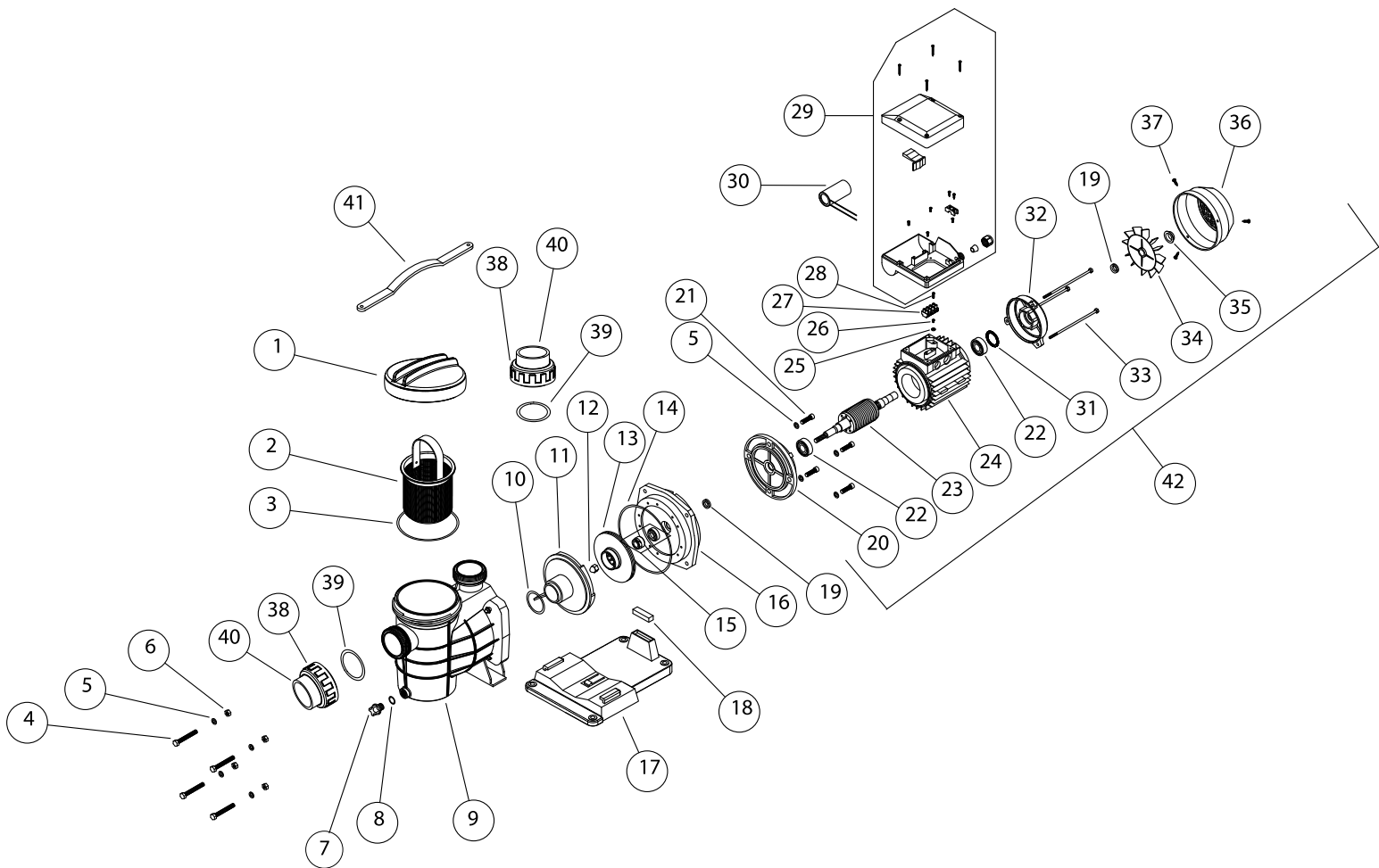


SELF-PRIMING PUMPS FOR SWIMMING-POOLS

NEW MINIPUMP





POSITION	DESCRIPTION	CODE
1	PRE-FILTER COVER	HD006000
2	PRE-FILTER BASKET WITH HANDLE	HD016010
3	PRE-FILTER JOINT COVER	HD021000
4	ALLEN SCREW M6x50 (4 PCS)	HD026020
5	WASHER M6 (8 PCS)	HD031005
6	NUT DIN 934 M6 (4 PCS)	HD031050
7	DRAIN PLUG 1/4"	HD036000
8	DRAIN PLUG O'RING Ø13x2,5	HD021100
9	PUMP BODY	HD041025
10	DIFFUSER JOINT Ø41x4	HD021050
11	DIFFUSER	HD046020
12	IMPELLER FIXING NUT M8	HD031070
13	IMPELLER NEWMP-025	HD051105
13	IMPELLER NEWMP-033	HD051110

13	IMPELLER NEWMP-050	HD051115
13	IMPELLER NEWMP-075	HD051125
14	PUMP BODY JOINT Ø143x4	HD021075
15	MECHANICAL SEAL Ø13	HD056000
16	PUMP BODY LID	HD061025
17	PUMP BASE	HD066000
18	SILENT-BLOCK 9x45x13	HD071000
19	V-RING JOINT VA-14 (2 PCS)	MT001000
20	MOTOR FLANGE	MT006010
21	ALLEN SCREW M6x25 (4 PCS)	HD026010
22	BALL-BEARING 6202 (2 PCS)	MT026000
23	ROTOR WITH SHAFT 0,33 HP	MT031075
23	ROTOR WITH SHAFT 0,50 HP	MT031080
24	HOUSING + STATOR 0,33 HP 1-PH	MT043000
24	HOUSING + STATOR 0,50 HP 1-PH	MT043005
25	GROUND CONN. TOOTHED WASHER M4	MT076000
26	GROUND CONN. SCREW M4x6 DIN 7985-5,6	MT076005
27	CABLE CONNECTOR SET 1-PH	MT081000
28	CABLE CONN.FIXING SCREW 1-PH M4x16	MT076010
29	COMPLETE CONNECTING BOX 1-PH	MT088000
30	CAPACITOR 12 µF	MT091000
31	SPRING WASHER M35	MT096000
32	MOTOR COVER	MT016010
33	ROD M5x130 (3 PCS)	MT101000
34	MOTOR FAN	MT086040
35	MOTOR FAN RING	MT086050
36	MOTOR FAN COVER	MT086055
37	FAN COVER SCREW (3 PCS)	MT076035
38	ADAPTOR SOCKET NUT Ø50 (2 PCS)	HD076010
39	SOCKET O'RING Ø53x3 (2 PCS)	HD021115
40	ADAPTOR SOCKET Ø50 (2 PCS)	HD076005
41	PREFILTRE COVER HANDLE	HD076000
42	COMPLETE MOTOR 0,33 HP 1-PH	MT999140
42	COMPLETE MOTOR 0,50 HP 1-PH	MT999145