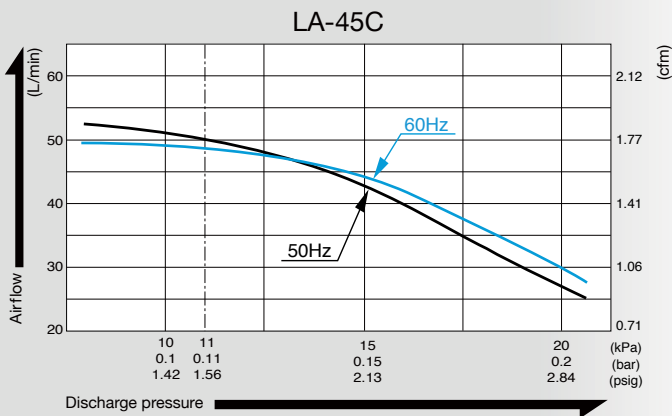
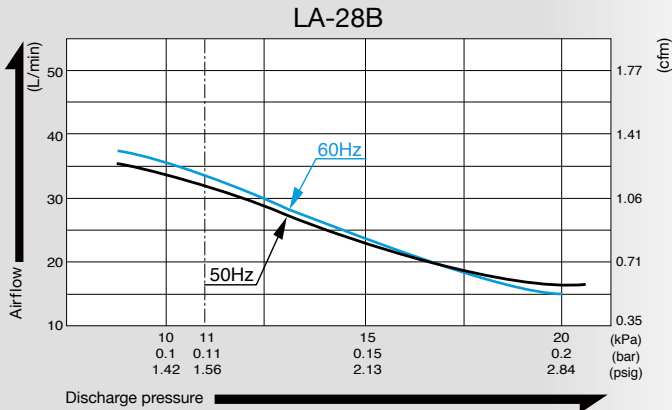


Blower

Model LA-28B & LA-45C



Airflow Characteristics



Specifications

	LA-28B		LA-45C	
Power Supply	120 V AC	220/230/240 V AC	120 V AC	220/230/240 V AC
Rated Frequency	60 Hz	50 Hz	60 Hz	50 Hz
Power Consumption	25.5 W	29 W	45 W	47 W
Rated Pressure	11 kPa (0.11 kgf/cm ²) 0.11 bar 1.56 psig			
Rated Airflow	28 L/min 0.99 cfm		45 L/min 1.59 cfm	
Weight	2.9 kg 6.4 lbs		3.2 kg 7.1 lbs	

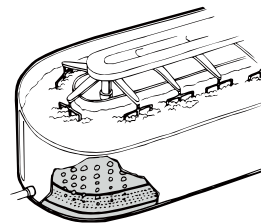
Please read the page of "How to Use This Catalog" first for correct use of compressors and pumps.

Optional Hose Assemblies

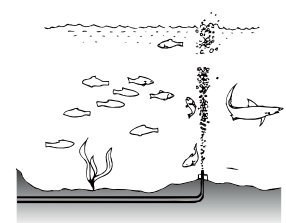


Application Examples

Liquid Mixer Bubbling

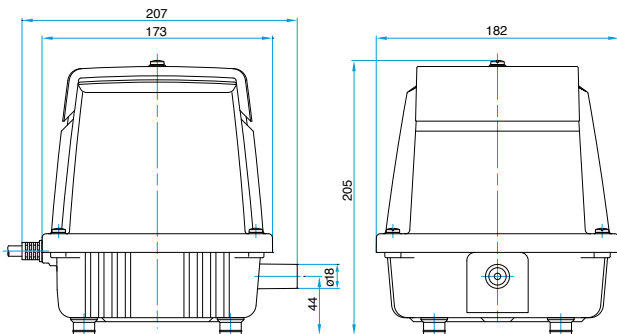


Fish Farm Aquatic Fence



Dimensional Outline Drawing (Unit: mm)

LA-28B



LA-45C

