

# Filter **V SERIES** **S SERIES**

WIDEST CHOICES FOR DIFFERENT POOL SIZES  
For residential and semi-commercial pools



Bobbin-wound  
Reinforced  
Fiberglass Tank

Max Operating Pressure

36psi (2.5bar)

Max Temperature

43°C (109°F)

Suggested Size of Media

sand 0.5-0.8mm

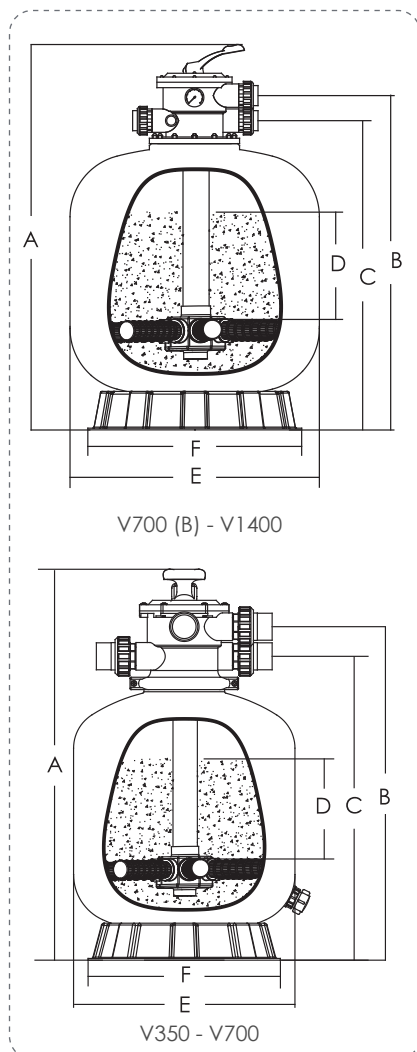
**Pool & Spa Equipment**

 **Emaux**  
water technology

**V and S Series Filters** are manufactured by automatic bobbin winding technology from long-lasting and non-corrosive fiberglass and resin. The UV resistant composites allow the filter to resist extreme weather conditions for a long working life without corrosion.

### Technical Information:

| Code (2.5 Bar) | Code (4 Bar) | Model    | Filter Area (m <sup>2</sup> ) | Valve Connections | Max Flow Rate | Sand (kg)              |      |
|----------------|--------------|----------|-------------------------------|-------------------|---------------|------------------------|------|
| 9010401        | /            | V350     | 0.09                          | 1.5" / 50mm       | 72lpm         | 4.32m <sup>3</sup> /h  | 20   |
| 9010402        | /            | V400     | 0.13                          | 1.5" / 50mm       | 108lpm        | 6.48m <sup>3</sup> /h  | 35   |
| 9010403        | /            | V450     | 0.16                          | 1.5" / 50mm       | 135lpm        | 8.10m <sup>3</sup> /h  | 45   |
| 9010404        | /            | V500     | 0.22                          | 1.5" / 50mm       | 185lpm        | 11.10m <sup>3</sup> /h | 85   |
| 9010405        | /            | V650     | 0.32                          | 1.5" / 50mm       | 260lpm        | 15.60m <sup>3</sup> /h | 145  |
| 9010407        | /            | V650(PB) | 0.32                          | 2.0" / 63mm       | 267lpm        | 16.00m <sup>3</sup> /h | 145  |
| 9010301        | /            | V650(B)  | 0.32                          | 2.0" / 63mm       | 267lpm        | 16.00m <sup>3</sup> /h | 145  |
| 9010406        | /            | V700     | 0.40                          | 1.5" / 50mm       | 325lpm        | 19.50m <sup>3</sup> /h | 210  |
| 9010302        | /            | V700(B)  | 0.41                          | 2.0" / 63mm       | 336lpm        | 20.16m <sup>3</sup> /h | 215  |
| 9010303        | /            | V800     | 0.50                          | 2.0" / 63mm       | 415lpm        | 24.90m <sup>3</sup> /h | 355  |
| 9010304        | 9010315      | V900     | 0.64                          | 2.0" / 63mm       | 520lpm        | 31.20m <sup>3</sup> /h | 470  |
| 9010308        | 9010319      | V900(C)  | 0.64                          | 2.5" / 75mm       | 533lpm        | 32.00m <sup>3</sup> /h | 470  |
| 9010305        | 9010313      | V1000    | 0.79                          | 2.0" / 63mm       | 650lpm        | 39.00m <sup>3</sup> /h | 620  |
| 9010309        | 9010321      | V1000(C) | 0.79                          | 2.5" / 75mm       | 658lpm        | 39.50m <sup>3</sup> /h | 620  |
| 9010306        | 9010311      | V1200    | 1.13                          | 2.0" / 63mm       | 860lpm        | 51.60m <sup>3</sup> /h | 860  |
| 9010310        | 9010322      | V1200(C) | 1.13                          | 2.5" / 75mm       | 941lpm        | 56.50m <sup>3</sup> /h | 860  |
| 9010307        | 9010320      | V1400    | 1.54                          | 2.5" / 75mm       | 1155lpm       | 69.30m <sup>3</sup> /h | 1400 |



V Series Filter is equipped with :

1. 6-way clamp/bolt style multiport valve (1.5"MPV01, 2"MPV02, 2.5"MPV12)
2. universal standard of union connection
3. pressure gauge
4. lateral system

### Product Dimension:

| Model No     | A mm | B mm | C mm | D mm | E mm | F mm |
|--------------|------|------|------|------|------|------|
| V350         | 726  | 619  | 550  | 160  | 355  | 298  |
| V400         | 757  | 640  | 590  | 175  | 410  | 390  |
| V450         | 814  | 698  | 638  | 210  | 455  | 390  |
| V500         | 845  | 730  | 670  | 235  | 535  | 500  |
| V650, V650PB | 950  | 835  | 775  | 300  | 635  | 500  |
| V650(B)      | 957  | 815  | 731  | 300  | 635  | 500  |
| V700         | 1020 | 905  | 845  | 330  | 710  | 500  |
| V700(B)      | 1092 | 960  | 877  | 390  | 723  | 500  |
| V800         | 1200 | 1085 | 1002 | 425  | 800  | 780  |
| V900         | 1300 | 1172 | 1090 | 480  | 900  | 780  |
| V900(C)      | 1334 | 1242 | 1145 | 480  | 900  | 780  |
| V1000        | 1400 | 1340 | 1260 | 580  | 1000 | 780  |
| V1000(C)     | 1434 | 1410 | 1160 | 580  | 1000 | 780  |
| V1200        | 1600 | 1550 | 1468 | 740  | 1200 | 1000 |
| V1200(C)     | 1634 | 1620 | 1368 | 740  | 1200 | 1000 |
| V1400        | 1845 | 1683 | 1586 | 750  | 1400 | 1000 |



Suggested sand weight varies with the differences in filter media size. For reference only.



Model: S900

Model: S700(B)

Model: S450

### S Series Filter is equipped with :

1. 6-way multiport valve (1.5"MPV03, 2"MPV04, 2.5"MPV13)
2. universal standard of union connection
3. piping kit
4. pressure gauge
5. lateral system

### Technical Information:

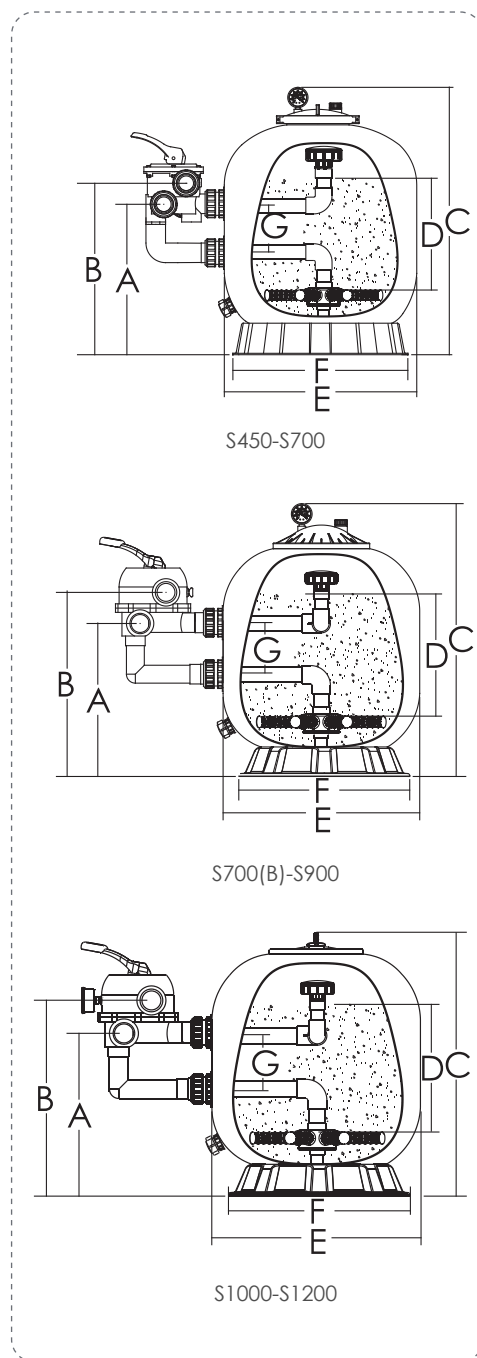
| Code (2.5 Bar) | Code (4 Bar) | Model    | Filter Area (m <sup>2</sup> ) | Valve Connections | Max Flow Rate                  | Sand (kg) |
|----------------|--------------|----------|-------------------------------|-------------------|--------------------------------|-----------|
| 9011201        | /            | S450     | 0.16                          | 1.5" / 50mm       | 135 lpm 8.1m <sup>3</sup> /h   | 45        |
| 9011202        | /            | S500     | 0.22                          | 1.5" / 50mm       | 185 lpm 11.10m <sup>3</sup> /h | 85        |
| 9011203        | /            | S650     | 0.32                          | 1.5" / 50mm       | 260 lpm 15.60m <sup>3</sup> /h | 145       |
| 9011204        | /            | S700     | 0.40                          | 1.5" / 50mm       | 325 lpm 19.50m <sup>3</sup> /h | 210       |
| 9011101        | /            | S700(B)  | 0.41                          | 2.0" / 63mm       | 336 lpm 20.16m <sup>3</sup> /h | 215       |
| 9011102        | 9011107      | S800     | 0.53                          | 2.0" / 63mm       | 435 lpm 24.10m <sup>3</sup> /h | 355       |
| 9011103        | 9011105      | S900     | 0.64                          | 2.0" / 63mm       | 530 lpm 31.80m <sup>3</sup> /h | 470       |
| 9011104        | 9011108      | S900(C)  | 0.64                          | 2.5" / 75mm       | 530 lpm 31.80m <sup>3</sup> /h | 470       |
| 9011301        | 9011307      | S1000    | 0.79                          | 2.0" / 63mm       | 658 lpm 39.50m <sup>3</sup> /h | 620       |
| 9011302        | 9011308      | S1000(C) | 0.79                          | 2.5" / 75mm       | 658 lpm 39.50m <sup>3</sup> /h | 620       |
| 9011303        | 9011309      | S1200    | 1.13                          | 2.0" / 63mm       | 880 lpm 52.80m <sup>3</sup> /h | 860       |
| 9011304        | 9011310      | S1200(C) | 1.13                          | 2.5" / 75mm       | 975 lpm 58.50m <sup>3</sup> /h | 860       |
| 9011306        | 9011311      | S1200(D) | 1.13                          | 3.0" / 90mm       | 947 lpm 56.50m <sup>3</sup> /h | 860       |

### Product Dimensions:

| Model No | A mm | B mm | C mm | D mm | E mm | F mm | G mm |
|----------|------|------|------|------|------|------|------|
| S450     | 370  | 433  | 730  | 210  | 455  | 390  | 125  |
| S500     | 375  | 438  | 770  | 235  | 535  | 500  | 125  |
| S650     | 425  | 488  | 850  | 300  | 635  | 500  | 125  |
| S700     | 460  | 523  | 960  | 330  | 710  | 500  | 125  |
| S700(B)  | 520  | 606  | 890  | 390  | 723  | 500  | 220  |
| S800     | 605  | 691  | 1050 | 425  | 820  | 780  | 220  |
| S900     | 655  | 741  | 1180 | 480  | 920  | 780  | 220  |
| S900(C)  | 671  | 768  | 1180 | 380  | 920  | 780  | 236  |
| S1000    | 710  | 796  | 1220 | 580  | 1020 | 780  | 220  |
| S1000(C) | 746  | 843  | 1220 | 480  | 1020 | 780  | 236  |
| S1200    | 820  | 906  | 1410 | 740  | 1200 | 1000 | 220  |
| S1200(C) | 836  | 933  | 1410 | 640  | 1200 | 1000 | 236  |
| S1200(D) | 915  | 1025 | 1410 | 640  | 1200 | 1000 | 350  |

## Bobbin-Wound Filter

is manufactured by computerized fiberglass filament winding technology. This provides the mechanical strength of the filter tank and its ability to withstand pressure.



S450-S700

S700(B)-S900

S1000-S1200

Suggested sand weight varies with the differences in filter media size. For reference only.