

Robotic Pool Cleaner LIBERTY

LIBERTY™ 600

User Instructions



LIBERTY 600

Cordless Robotic Pool Cleaner

User Instructions

Content

Safety Instructions

- 1. [Getting Started](#) 5
 - 1.1 What's in the Box 5
 - 1.2 First Time Use..... 5
 - 1.3 Removing the Robot from the Pool 6
 - 1.4 Cleaning the Filter Basket..... 6
 - 1.5 Features and Indications 7
 - 1.6 Charging Recommendations 8
- 2. [Specifications](#)..... 8
 - 2.1 Robot..... 8
 - 2.2 Water Conditions 8
 - 2.3 Battery Charger 8
- 3. [Steps Jet-Cleaning](#)..... 9
- 4. [Periodic Cleaning](#) 9
 - 4.1 Cleaning the Impeller and Step Jet..... 10
- 5. [Maytronics One™ App User Guide](#)..... 11
 - 5.1 Getting Started with the Maytronics One™ App..... 11
- 6. [Activate the Pool Cleaner Using your Mobile Phone](#)..... 11
 - 6.1 Maytronics One™ App Features Guide 11
 - 6.2 Choose Preferred Parking Wall..... 12
- 7. [Maytronics One™ Troubleshooting](#) 12
- 8. [Robotic Pool Cleaner Troubleshooting](#) 13
- 9. [Off-Season Storage](#) 13
- 10. [Contact Maytronics Customer Care](#)..... 14

READ AND FOLLOW ALL INSTRUCTIONS



Please adhere strictly to following **WARNINGS:**

1. If the charger is damaged, including falling into the water, quickly and safely disconnect it from the power outlet. Do not use a charger that has been damaged.
2. Remove the robotic pool cleaner from the pool before allowing people to enter the pool.
3. When examining the robotic pool cleaner, make sure the robotic pool cleaner is switched OFF.
4. Charge the battery only in the temperature range between 6°C to 35°C / 43°F - 95°F.
5. Keep the robotic pool cleaner out of the reach of children or persons with reduced physical, sensory, or mental capabilities, or lack of experience and knowledge, unless they have been given supervision or instruction.
Cleaning and maintenance shall not be done by children.
6. Use only the original battery charger.
7. The battery charger must be supplied through a power circuit protected by a residual current device (RCD) having a rated residual operating current not exceeding 30mA.
8. The power cord is not user-replaceable. If the power cord is damaged, stop using the battery charger and contact the service center for repair. Do not use extension cord to connect the battery charger to electric supply; provide a properly located outlet.
9. DO NOT USE the robotic pool cleaner and/or its battery / power pack in case of mechanical damage to the robotic pool cleaner and/or its battery.
10. To avoid the risk of fire and burns, DO NOT open, crush, heat, or burn the battery case.

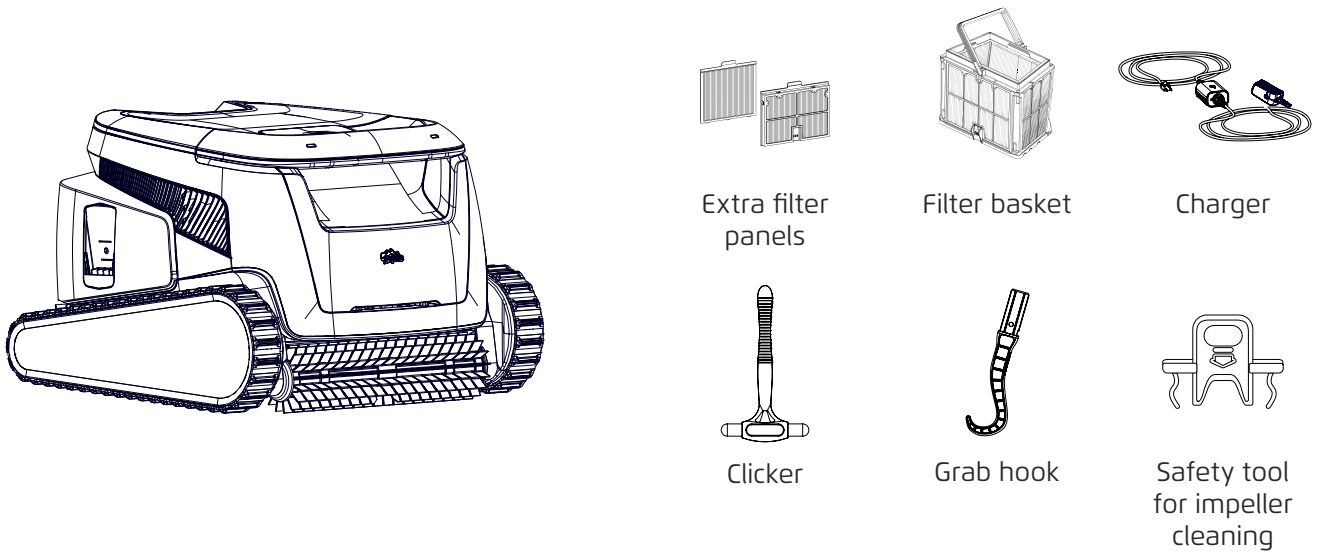


Please ensure that the following **PRECAUTIONS** are implemented:

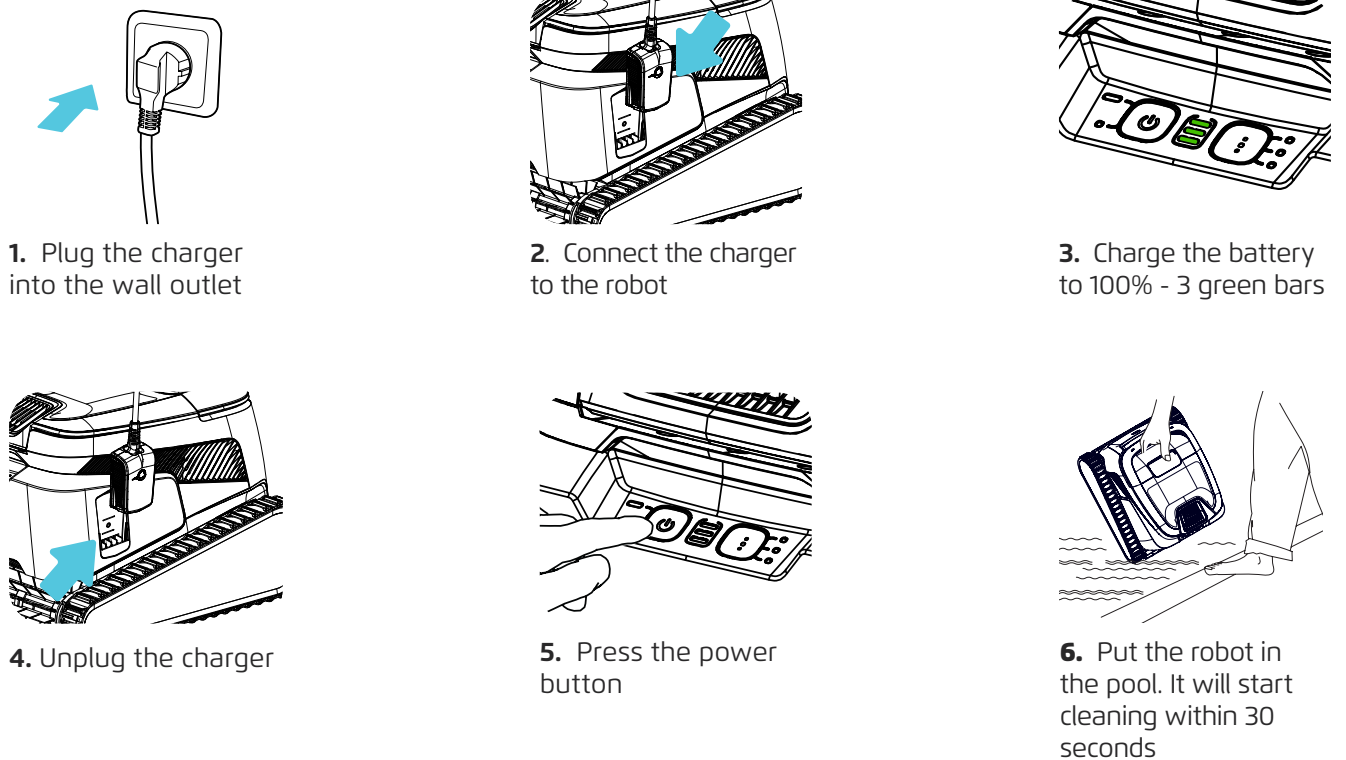
1. For continuous protection against possible electric shock, place the battery charger at least 11 cm / 4 in above ground.
2. Position the battery charger at least 3 m / 9.8 ft from pool edge during operation.
3. When cleaning the impeller, use the impeller safety tool. See section 4.1.
4. Keep hands and fingers away from impeller motor area and driving belt mechanism to avoid injury.
5. When lifting the robotic pool cleaner, take care to prevent back injury.
6. Do not use the robotic pool cleaner if you have added liquid flocculant or any other clarifier to the pool water. These substances obstruct and damage the robot filters.

1. GETTING STARTED

1.1 What's in the Box



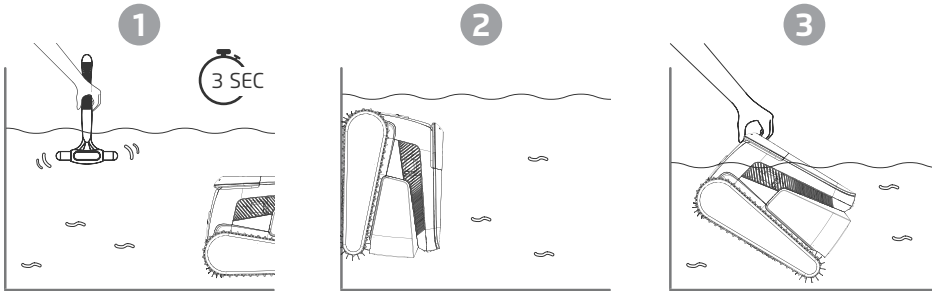
1.2 First Time Use



1.3 Removing the robot from the pool

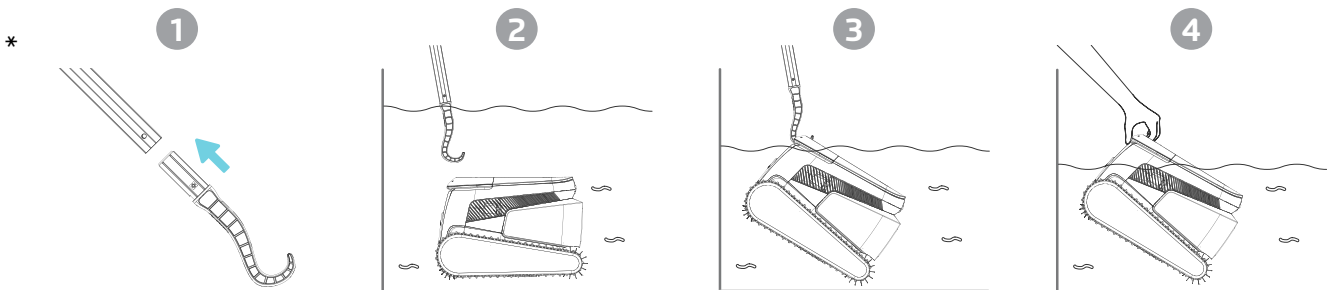
ClickUp™

After the cleaning cycle, shake the Clicker inside the water for over 3 seconds and the robot will climb the preferred wall. If LIBERTY is in the middle of a cycle, shake the Clicker for 3 seconds once and it will stop. Shake it again and it will climb the wall to be taken out. The feature has enough battery on standby for up to 14 days.



Please note: Using the Clicker in **Eco Mode** to remove the robot from the pool will cancel scheduled cycles - start **Eco Mode** again before returning the robot to the pool.

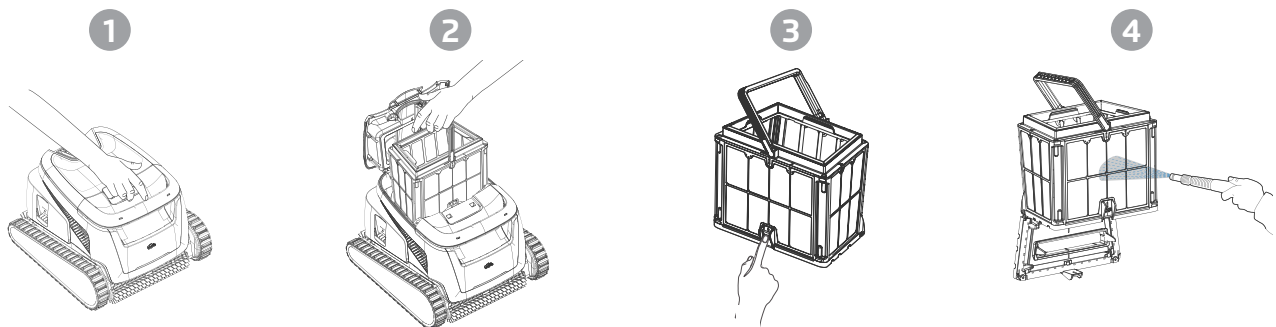
Grab hook - Pull robot to waterline, then grab it with your hand to pull it out of the water.



* Standard pole, not included

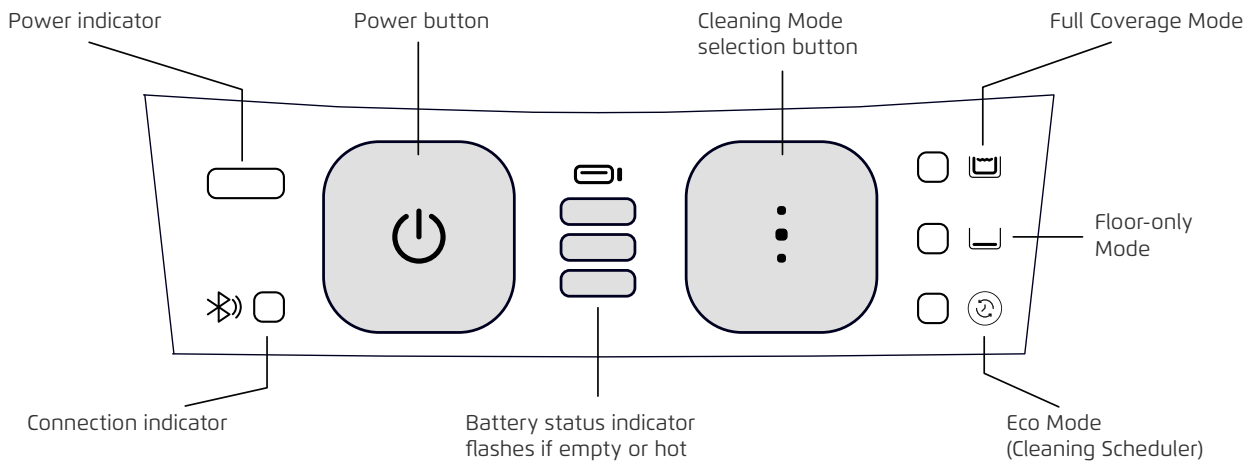
1.4 Cleaning the Filter Basket

To prevent debris from hardening on the filter, we highly recommend quick-rinsing the filter immediately after removing the robot from the pool.



Use the ultra-fine panels for more thorough, but shorter cycles. The fine (translucent) filter panels catch rough debris such as leaves and sand. They require less energy to push the water through. The ultra-fine (opaque, corrugated) panels catch ultra-fine debris such as silt and tiny particles. They get the water cleaner, but use more power to push the water through, thus shortening the cleaning cycles.

1.5 Features and Indications



Cleaning Mode Selection

Use cleaning mode selector to easily choose between three cleaning modes. The mode you select will remain until you change it.

1. Press the power button to activate until the LED lights up.
2. Press the cleaning mode selection button to choose your preferred mode:

Full Coverage Mode - Cleans the floor, walls, waterline, and stairs for 3 hours.

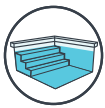
Floor-only Mode - Cleans the pool floor for 3 hours.

Eco Mode cleaning scheduler - Multiple shorter floor-only cycles on one battery charge. Eco Mode can keep your pool floor clean for 1-2 weeks. The default setting is three 1-hour cycles every two days for one week. To adjust to your needs, there are more scheduling options in the mobile app Maytronics One™.



Homing

LIBERTY 600 selects a default preferred wall where it always parks at the end of a cleaning cycle, including between Eco Mode cycles. You can change the default wall in the app.



Steps Jet-Cleaning

LIBERTY 600 maximizes cleaning coverage by identifying and properly cleaning steps and shallow water. It does this automatically in the Full Coverage cleaning mode.



Temperature Warning

If the battery LEDs flash alternately between the middle light and the others, move the robot to a shaded area and charge it in a location with a temperature between 5°C and 35°C (41°F - 95°F).



Maytronics One™ Mobile App

You can customize the robot's settings, such as Eco Mode schedules and Homing to park at your chosen wall. You can also check the filter and battery status, view cleaning history, troubleshoot issues, and order accessories or parts. Download the app, sign-up and follow the app instructions to pair with your robot. You can connect to and configure it with the Maytronics One™ app **while the robot is out of the water**. To pair, activate Bluetooth® on your phone and press the robot's power button for 3 seconds. Select the robot from your Bluetooth® connections list in phone settings. Optional - You can also connect via Wi-Fi® for additional features such as remote status checks, auto-updates, and smoother customer service.

1.6 Charging Recommendations

- We recommend charging the robot immediately after removing it from the water so it will be ready when you need it.
- When the battery is low the battery status indicator will flash, signifying that it needs to be charged.
- Charge in shade until you see 3 green bars in the battery status indicator (up to 4.5 hours).
- The charger is splash-proof, but strong streams of water such as heavy rain or hoses, and immersion in puddles or the pool could damage it. Place it above ground in a protected location.
- The robot can be charged when wet after removing from the pool. However, be sure that the charger doesn't sit or fall in water.

2. SPECIFICATIONS

2.1 Robot

Water depth range: 0.4m - 3m (1.3ft - 9.8ft)

Motor protection: IP 68

Battery Lithium-ion | 9800mAh | 25.2V ; 5Ah / 126Wh

Radio communication:

Bluetooth® 5.0 - 2402-2480 MHz - Maximum power 2.1mW

Wi-Fi® - 2412 - 2484 MHz - Maximum power 99mW

2.2 Water Conditions

Use the robotic pool cleaner only in the following water conditions:

- Chlorine: 4 ppm max.
- pH: 7.0 – 7.8
- Temperature: 5°C – 35°C / 41°F – 95°F
- NaCl: 5000 ppm max.

2.3 Battery Charger

- Protection: IP55 Splashproof - Do not immerse or expose to strong streams or heavy rain.
- Output: <30 VDC

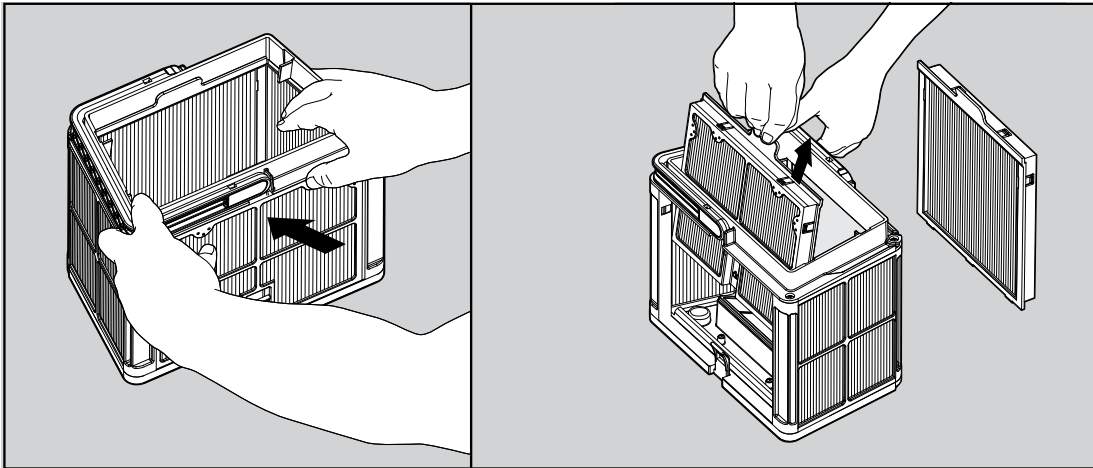
3. STEPS JET-CLEANING

Steps Cleaning

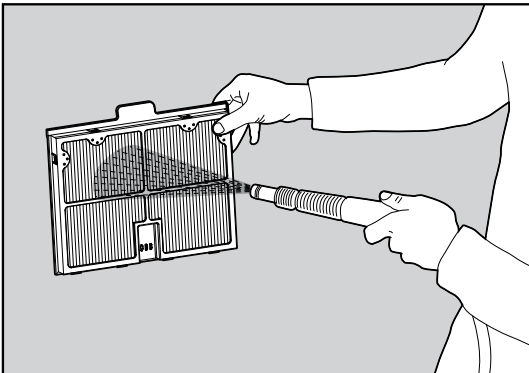
LIBERTY 600 maximizes cleaning coverage by identifying and properly cleaning steps and sun-ledges. It does this automatically in the Full Coverage cleaning and in the 1/2 week or 1 week Eco Modes. The 2 week Eco Mode is floor-only. It does not clean the steps.

4. PERIODIC CLEANING - RECOMMENDED ABOUT ONCE A MONTH

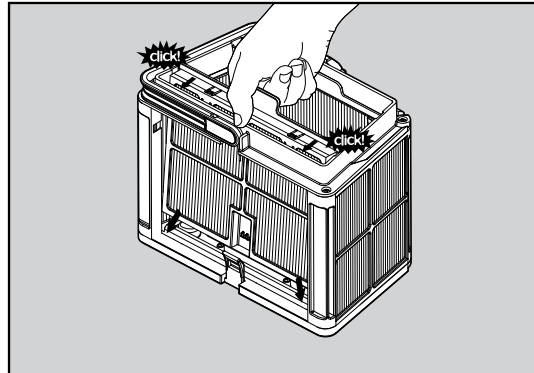
Dismantle the 2 ultra-fine filter panels of the basket, using the following steps:



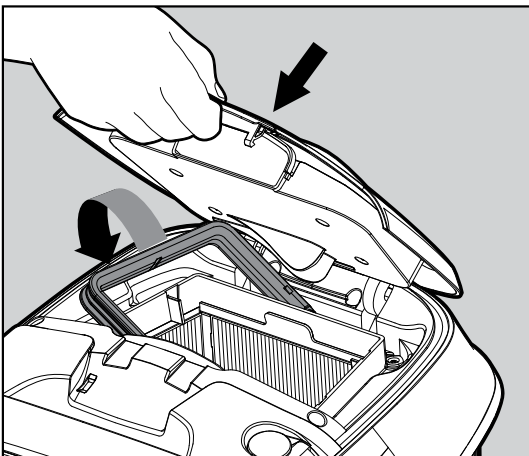
Dismantle the 2 panels with your thumbs.



Clean the filter panels with a hose.



Re-assemble the filter panels.

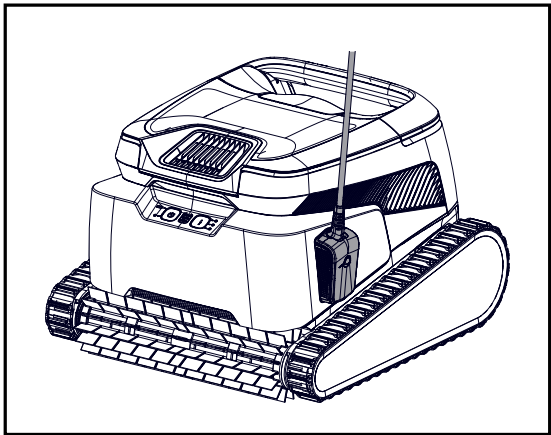


Insert the clean filter basket and close the filter cover.

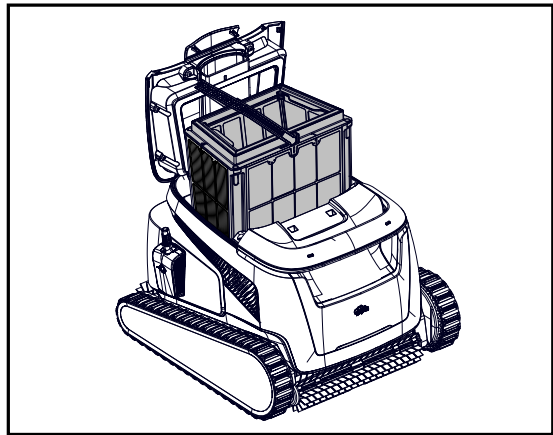
4.1 Cleaning the Impeller and Step Jet

Hair and other debris can get stuck in the impeller causing the robot not to work well. Clean the impeller and step jet periodically to improve the robot's performance.

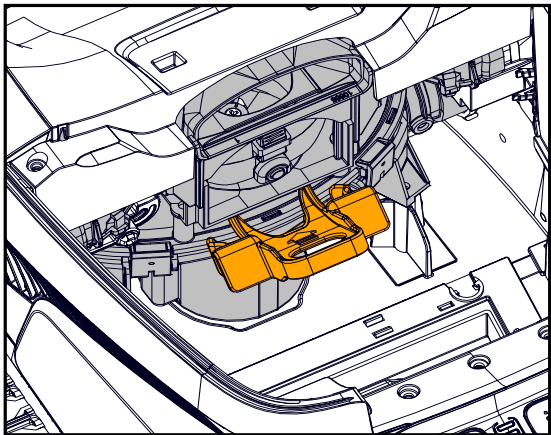
CAUTION: Make sure you connect the charger to turn the robot OFF and insert the impeller cleaning safety tool.



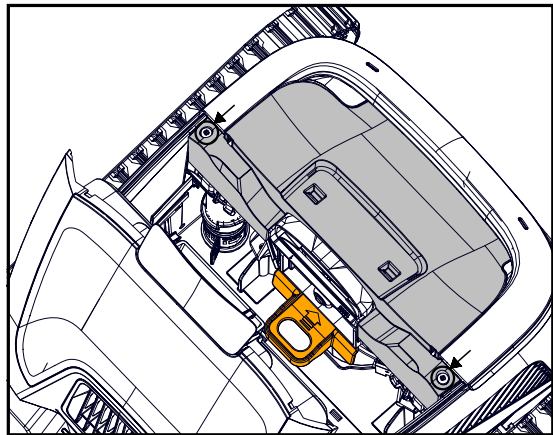
1. Turn the robot OFF and connect the charger to the robot. Keep the robot OFF during this process.



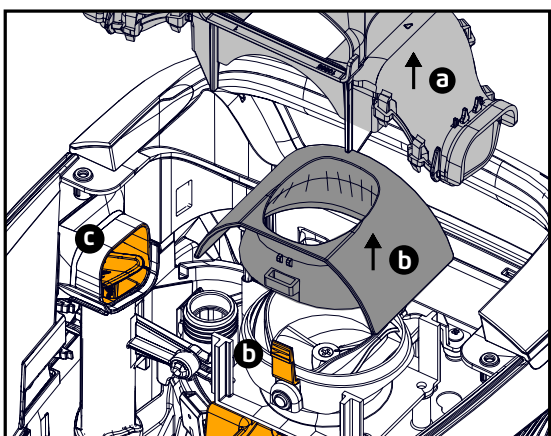
2. Open the lid and remove the filter basket.



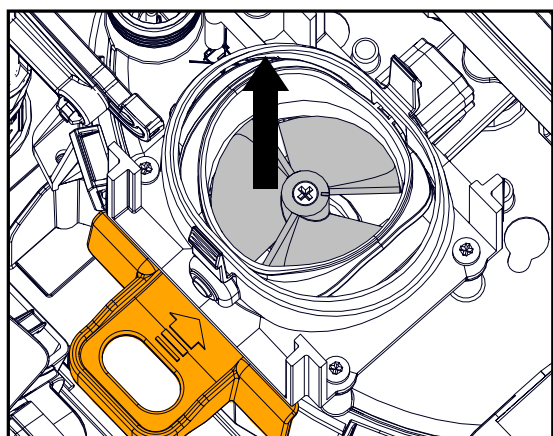
3. Insert the impeller safety tool between the clear plastic and above the black motor.



4. Remove 2 screws and remove the cover.



5. a. Remove the exhaust manifold.
b. Squeeze the two tabs on the sides to remove the servo cap.
c. Check and clean any debris from the Steps Jet pipe.



6. **Carefully** remove debris and hair. Use tweezers or pliers. The impeller blades are sharp. If needed, remove the impeller screw and carefully but assertively lift the impeller out to clean the debris.

7. **Gently** return the impeller, impeller cap, exhaust manifold, and cover.

Be sure not to break the plastic when inserting screws.

8. Remove the safety tool.

9. Return the filter basket and close the lid.

5. MAYTRONICS ONE™ APP USER GUIDE

App features: You can customize the robot's settings, such as Eco Mode schedules and Homing to park at your chosen wall. You can also check the filter and battery status, view last cleaning cycle, troubleshoot issues independently, contact support, and order accessories or parts.

Connection options: First, the robot connects to your phone via Bluetooth®, then to Wi-Fi® for added features like auto-updates, smoother customer service, and remote status checks.

Note that while the robot is in the water, the app cannot control or communicate with it.

To reconnect, remove the robot and press the power button or connect the charger.

5.1 Getting Started with the Maytronics One™ App

1. Ensure Bluetooth® is enabled on your smartphone.
2. Download the app.
3. Press and hold the power button for 3 seconds to start pairing.
4. Start the app, sign up, and enter the validation code that is sent to your email.
5. Follow instructions in the app to connect via Bluetooth®.
6. Connect via Wi-Fi® for more features.
7. After removing from water, to re-establish a connection between the robot and app, either press the power button or connect the charger. Also, it will automatically connect an hour after removing the robot with the Clicker.
8. Up to 1 user can connect at a time via Bluetooth®, but to 5 users can connect to the robot via Wi-Fi®. You can unpair irrelevant users in the settings.

6. ACTIVATE THE POOL CLEANER USING YOUR MOBILE PHONE

6.1 Maytronics One™ App Features Guide



Starting the Pool Cleaner Via the App

Tap **Clean** and place the robot in the water. You will get a notification when the cycle has finished if you start the pool cleaner via the app.



Eco Mode Cleaning Scheduler

To keep the pool clean for 1-2 weeks on one charge, select Eco Mode and leave the robot in the pool. You can select which Eco Mode cleaning schedule you prefer in the app.

At the end of the schedule period, take the pool cleaner out to rinse the filter basket and recharge the battery.

There are 3 Eco Modes:

Half week (full-coverage) 2 sessions x 90 min. every 72 hours

Full week (full-coverage) 3 sessions x 60 min. every 72 hours

2 weeks (floor-only) 6 sessions x 45 min. every 48 hours

Filter Status

The robot indications bar in your app home page shows your filter status with the basket icon.

Click on the indications bar for more details.



Cleaning Mode

Choose the cycle according to your pool's needs.

Full Coverage - Cleans pool floor, walls, waterline, and steps.

Floor - Cleans pool floor.

Eco Mode Cleaning Scheduler - See "Eco Mode" above. Choose your preferred schedule in the app.

Ultra Clean Mode - Intensive cleaning with stronger suction, but shorter cycle.



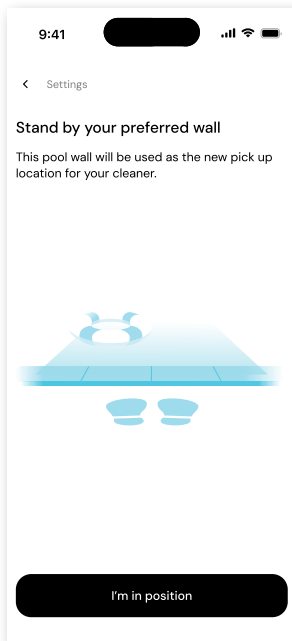
Robot Error Notification

If there was an error, the app home screen will show the last error. Tap and the app will guide you to troubleshoot the problem.

The app is compatible with the following smart devices:

- Apple (iOS) – version 10 and up – iPhone, iPad, iPod
- Android – version 5 and up operating system

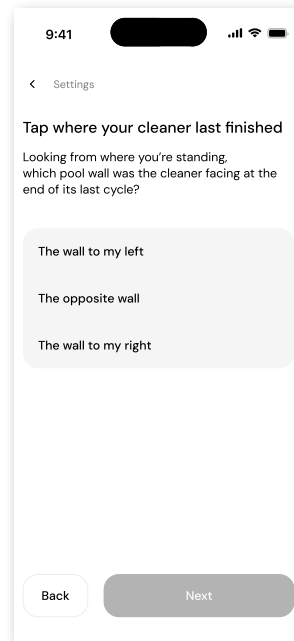
6.2 Choose Preferred Parking Wall



At the end of the robot's cleaning cycle, **remember which wall the robot stopped at and waited to be taken out.** This is the current Homing wall where the robot is set to wait to be taken out.

If you want to change the Homing wall, **stand next to your preferred pool wall**, facing the pool.

Tap the 3 dots on the home screen for settings. Select "Home wall". Tap **"I'm in position"**.



Select the wall where the robot finished it's last cycle. If the pool is not rectangular, select approximately where the robot parked.

NOTE: This feature works with a compass. The robot will home in on the approximate location selected according to the compass.

7. MAYTRONICS ONE™ - TROUBLESHOOTING

| Symptom | Possible reason | Corrective action |
|--|--|--|
| Cannot pair the Maytronics One™ app to the robotic pool cleaner. | <ul style="list-style-type: none"> The Bluetooth® on one of your devices is either OFF or not in pairing mode. The mobile phone is too far from the robot. Mobile phone location is OFF. You did not give the required permissions when installing the app. | <ul style="list-style-type: none"> Turn the Bluetooth® OFF and on in your smartphone. For iOS – Go to settings → Bluetooth®. Get closer to the robot. Turn mobile phone location ON Check that the robot's charger is connected well and that your mobile phone's Bluetooth® is searching for nearby devices. Try uninstalling and reinstalling the Maytronics One™ app, and give all permissions. If it still doesn't find your robot, try restarting your mobile phone. If none of the above troubleshooting helps, contact wecare@maytronics.com |
| The Wi-Fi® doesn't stay connected. It works via Bluetooth® when near the robot, but loses Wi-Fi® frequently. | <ul style="list-style-type: none"> The Wi-Fi® router alternates between 2.4 and 5 GHz frequencies causing disconnection when the 2.4 one is lost. The Wi-Fi® signal is too weak to maintain a connection. | <ul style="list-style-type: none"> The device connects only to the standard 2.4 GHz Wi-Fi® frequency. If you have a dual or quad band router, to prevent connectivity issues, split and give separate names to the 2.4 and 5GHz networks. Consult your internet provider or see online instructions for your specific router brand. If the signal near the power supply is not strong enough to easily stream an online video, consider installing a 2.4GHz Wi-Fi® extender. |

| Issue | Suggested Action |
|--------------------------------------|--|
| Robot does not turn ON from the app. | <ul style="list-style-type: none"> Make sure that the robot is charged with all three LEDs green. After turning it ON, place it in the water. It is designed not to work outside of the water. |

8. ROBOTIC POOL CLEANER - TROUBLESHOOTING

| Symptom | Possible reason | Corrective action |
|---|---|---|
| The robot does NOT start. | <ul style="list-style-type: none"> An object is stuck in the tracks or wheels. An object or hair is stuck in the impeller. The robot is not fully charged. The robot is out of the water. The red error indicator LED is ON. | <ul style="list-style-type: none"> Carefully remove the object from tracks or wheels. Clean the impeller (see section 4.1). Charge the battery to 100% -3 green bars. Place the robot in the water within 30 seconds after starting it. Check app for error message and troubleshooting. If none of the above troubleshooting helps, contact wecare@maytronics.com |
| The robot is moving in circles. | <ul style="list-style-type: none"> Clogged filter basket. Debris stuck in the impeller housing or impeller cover. An object is stuck in the tracks or wheels. The pool's surface is too glossy for this robot model. Algae buildup or pool water does not meet specifications. | <ul style="list-style-type: none"> Clean the filter basket. It should be white and clean when touching. If it is brown or green, clean it with a hose. If it stays brown, it may be time for a replacement filter. Clean the impeller (see section 4.1). Carefully remove the object from tracks or wheels. Correct pool and water conditions. |
| The robot doesn't charge properly. | <ul style="list-style-type: none"> The wall power outlet isn't working. An object or dirt is preventing a proper magnetic connection between the charger and the robot. The robot is too hot or cold to be charged properly. It hasn't charged for enough time. | <ul style="list-style-type: none"> The charger has a green LED when it gets electricity from the wall outlet. Test the power outlet with another device or try charging the robot from an outlet that works. Make sure that the charger connections are clean on the robot. Charge in the shade or indoors. If summer, try charging at night. It can take up to 4.5 hours for a full charge. |
| The robot does not turn or moves in one direction only. | <ul style="list-style-type: none"> Debris stuck in the impeller housing or impeller cover. | <ul style="list-style-type: none"> Clean the impeller (see section 4.1). |
| The robot moves but does not clean the pool. | <ul style="list-style-type: none"> Clogged filter basket. Debris stuck in the impeller housing or impeller cover. | <ul style="list-style-type: none"> Clean the filter basket. It should be white. If it is brown or green, clean it with a hose. Clean the impeller (see section 4.1). |
| The robot does not climb up the walls. | <ul style="list-style-type: none"> The filter is too full to allow proper jet propulsion up the wall. Debris is stuck in the impeller housing. The pool surface is too slippery. Algae on walls. Unsuitable pH level. | <ul style="list-style-type: none"> Clean the filter and make sure that there is nothing stuck in the impeller. The filter should be white. If it is brown or green, clean it with a hose. Clean the impeller (see section 4.1). Consider buying a "Combined Brush" at your local service center. Check the level of chemicals in the water. Improper levels may allow the growth of algae, making the walls slippery. If so, adjust the levels and scrub the walls. |
| Robot is not waiting at the waterline when I arrived. It is standing near a wall. | <p>At the end of each cycle, the robot waits on the floor next to its home wall.</p> | <ul style="list-style-type: none"> When shaking the Clicker in the water for over 3 seconds, the robot will climb and wait for 1 minute. The Clicker feature is available for up to 14 days after a normal 3 hour cycle if the battery was full when started. After Eco Mode or if the battery wasn't full when started, the Clicker feature is available for at least 2 days. If the robot is not taken out after 1 minute of waiting, it will climb down and turn to face another wall. The next time you use the Clicker in the water, the robot will climb up a different wall. |

If this troubleshooting guide didn't solve your problem contact Customer Care: wecare@maytronics.com

9. OFF-SEASON STORAGE

Before off-season storage - we recommend charging the battery to about 50% (2 green bars in the battery indicator panel).

Recommended storage temperature range: -10°C - 40°C / 14°F - 104°F.

Storing the robot in a hot location will likely damage the battery.

After off-season storage, charge the robot to its fullest.