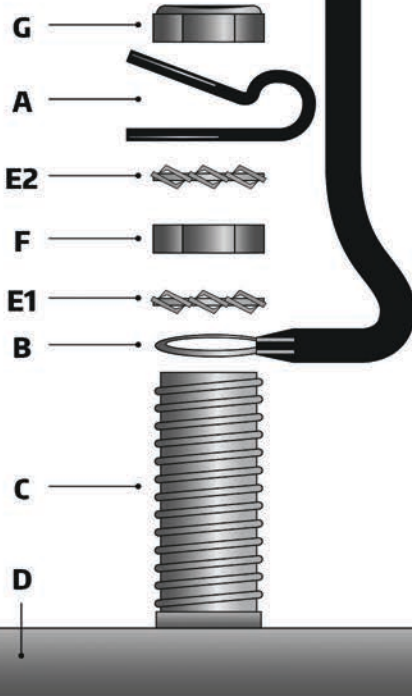


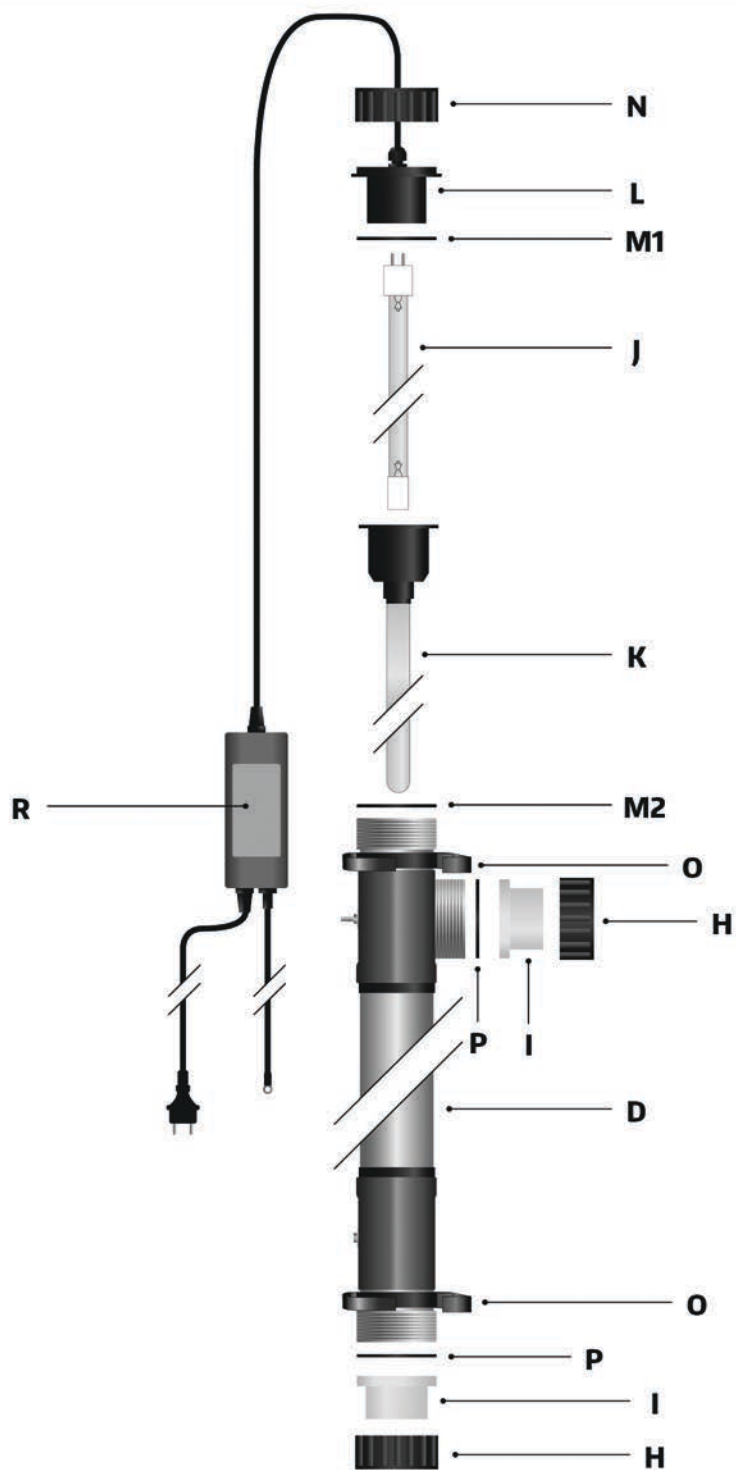
FILTREAU™ UVC



ECO
16W / 40W / 80W

M A N U A L

GB**Page 4****D****Seite 7****F****Page 10****NL****Pagina 13****ES****Página 16****1****2**



WORKING

The Filtreau UV-C ECO ensures crystal-clear water. The sophisticated design and high quality materials produce high UV-C radiation with a wavelength of precisely 253.7nm. This high level of radiation kills almost all bacteria, viruses and even fungi, providing clear and clean water.

Due to the extra-wide Aluminum housing, the water stays in contact with the UV-C radiation for an extra-long time. This broad housing also ensures that there is minimal pressure loss during the water treatment. The housing is polished on the inside to minimize the chance of any dirt sticking to the walls. Overall, this increases the effectiveness of the UV-C radiation 35%.

SAFETY AND INSTALLATION REQUIREMENTS

- See the **Technical Specifications** for the required voltage and current.
- The device may only be connected to an electrical installation that meets the legal requirements. A GFCI (30ma) and earthed sockets are required. If in doubt always use a certified electrician to install.
- The device, the electronics box, the plug and the power cord must be positioned at least 2m from the tank.
- Always keep the plug free from moisture. Ensure that water cannot track down the power cord to the socket. (See figure 1 for how to loop the power cord).
- Never submerge the device in liquid.
- The device can withstand a maximum pressure of 3 bar.
- The device is only suitable for fresh, not salt, water.
- The device is designed to operate with a water temperature between 0 and 40 degrees C. Outside these temperatures the device must be completely disconnected from the water.
- Before use, check the whole device, power cord and plug for damage. In case of any damage, the device must not be used. Please let your dealer assess any damage.
- The device may only be connected if there is a sufficient flow of water.
- To avoid possible harm to eyes or skin, the working of the UV-C lamp should only be checked through the transparent parts of the device.
- During maintenance, the device and pump must be disconnected from the mains. Be aware that the device and the lamp can remain hot for up to 10 minutes after being disconnected.

EARTHING THE DEVICE; SEE FIGURE 2

1. Place the strain relief clip (A) about 10-12cm from the eye of the earth cable (B).
2. Slide the eye of the earth cable (B) over the earth pin (C) that is fastened to the housing (D).
3. Slide the first spring washer (E1) over the earth pin (C).
4. Place the hexagonal nut (F) on the earth pin and tighten it.
5. Slide the second spring washer (E2) over the earth pin (C).
6. Slide the strain relief clip (A) over the earth pin (C).
7. Place the last lock nut (G) on the earth pin (C) and tighten it carefully with a spanner #8.
8. Ensure that the sequence follows precisely that shown in figure 2.

INSTALLATION OF THE DEVICE; SEE FIGURE 3

The device must be placed in a dry, well-ventilated area, out of direct sunlight. The best position is – if possible – after the filter. The installation must always be carried out vertically. Take into account accessibility for maintenance (see also **Maintenance and disassembly**).

1. Undo the lock nut (H) from the housing (D) and keep this for the connecting link (I) under 7.
2. Carefully unpack the UV-C lamp (J) and slide this into the quartz sleeve (K).
3. Put the UV-C lamp (J) into the lamp holder (L) and slide this further into the quartz sleeve (K). Make sure that the O-rings (M1&M2) sitting properly.
4. Tighten the nut (N) hand-tight in the housing (D).
5. Mount the pipe clamps (O) in the required place. The device will hang from these. (Please take into account the length of the cables, see 6).
6. Mount the electronics box (R) in the required place. (Please take into account the length of the cables).
7. With the lock nut (H), fasten the connecting link (I) to the housing (D), making sure that the O-rings (M1&M2) are seated properly.
8. Place the apparatus in the pipe clamps (O) and glue the connecting link (I) between the pipes.
9. Ensure that enough water flows through the device and plug the device into the appropriate socket. You can see if the UV-C lamp is on by looking through the transparent connecting link (I). Check the whole assembly for possible leaks.
10. The device can be turned off by simply pulling the plug out of the socket.

MAINTENANCE AND DISASSEMBLY

The device needs maintenance at least once per half year. During maintenance, the device must be disconnected from the mains. Chalk deposits and possibly algae must be removed from the quartz sleeve (K) and the housing (D). The UV-C lamp (J) only has to be changed after 9,000 hours of use. The actual lifetime is dependent on the number of times it is turned on and off.

1. Unplug the device from the mains and close the pipes.
2. Ensure that the water is drained out of the device.
3. Loosen the bolt (N) and disconnect the UV-C lamp (J) from the lamp holder (L). If necessary, you can also replace the lamp.
4. Carefully raise the quartz sleeve (K).
5. The quartz sleeve (K) can be cleaned with an appropriate cleaner. After cleaning, rinse the quartz sleeve (K) thoroughly. Use a soft cloth to avoid scratches!
6. The housing (D) can now also be cleaned. This can be done with a brush; do not use any chemicals.
7. After cleaning, place the quartz sleeve (K) back in the housing (D). Ensure that the O-ring (M1&M2) is seated properly and that the quartz sleeve (K) slides into the holder.
8. Put the UV-C lamp (J) into the lamp fitting (L) and slide both into the quartz sleeve (K).
9. Tighten the nut (N) on the housing (D) hand-tight. (See 9 under **Installation of the device**).

N.B. To change the housing and/or the electronics box, the earth must be completely disconnected. The component parts must be saved because they do not come with a new housing or electronics as standard.

If in any doubt seek the advice of a certified electrician!

TYPES OF FILTREAU UV-C ECO

Part No. : UVE0001	Filtreau UV-C ECO 16W/16m ³ (230V; 50/60Hz)
Part No. : UVE0002	Filtreau UV-C ECO 40W/40m ³ (230V; 50/60Hz)
Part No. : UVE0003	Filtreau UV-C ECO 80W/80m ³ (230V; 50/60Hz)

SPARE PARTS

Part No.: EPE0001	Electrical part Filtreau UV-C ECO 16W
Part No.: EPE0002	Electrical part Filtreau UV-C ECO 40W
Part No.: EPE0003	Electrical part Filtreau UV-C ECO 80W
Part No.: QS0001	Quartz sleeve 16W
Part No.: QS0002	Quartz sleeve 40W/80W
Part No.: HOU0008	Housing Filtreau UV-C ECO 16W
Part No.: HOU0009	Housing Filtreau UV-C ECO 40W/80W
Part No.: RLE0001	Lamp Filtreau UV-C ECO 16W
Part No.: RLE0002	Lamp Filtreau UV-C ECO 40W
Part No.: RLE0003	Lamp Filtreau UV-C ECO 80W

WARRANTY CONDITIONS

- The supplier guarantees the Filtreau UV-C ECO 16W/40W/80W for 24 months after date of purchase against defects in materials or manufacturing faults. The UV-C lamp and quartz housing are not covered by this warranty.
- Defects and/or breakdowns as the result of incorrect installation, use and/or maintenance are not covered by this warranty.
- The warranty is void if repairs are carried out by third parties.
- The warranty is void if the cabling is not in its original condition.
- The warranty is only valid if a valid, dated proof of purchase is provided, stamped by the supplier.
- The supplier is not responsible for damage, including possible consequential damage, caused by the improper use or failure of the apparatus.
- Claims relating to transport damage to the apparatus and/or parts will only be processed if the damage is reported to the dealer within 24 hours, in writing.

www.filtreau.nl

Made in The Netherlands



SRB0117