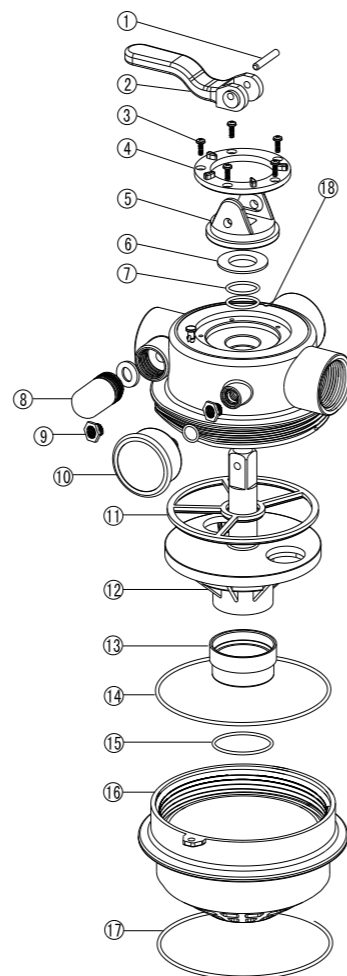


1.5" VALVE REPLACEMENT PARTS

Key No.	Part No.	Product Description	QTY
1	03018009	Pin for handle	1
2	01013036	Handle for 1.5" 4-way Valve	1
3	03011003	∅ 4*12 Self-drilling screw	5
4	01013040	Pressing Ring	1
5	01013041	Fixation for 1.5" 4-way Valve Handle	1
6	01181003	Washer for 1.5" 4-way Valve Handle	1
7	02011017	O-Ring for Rotor	2
8	89280813	Sight Glass with O-Ring	1
9	01111048	Connector for Pressure Gauge/Stopper	1
10	06021014	Plastic pressure gauge With O-Ring (28Psi)	1
11	02311005	Spider Gasket	1
12	01013098	Lid for for 1.5" 4-way Valve Rotor	1
	01021003	Rotor for 1.5" 4-way Valve	1
13	01013039	1.5" 4-way Valve Rotor Connector	1
14	02011021	O-Ring for Rotor Connector	1
15	02011018	O-Ring	1
16	01013038	Base for 1.5" 4-way Valve (Clamp)	1
17	02010007	O-Ring	1
18	89281301	1.5" 4-way Valve Body	1

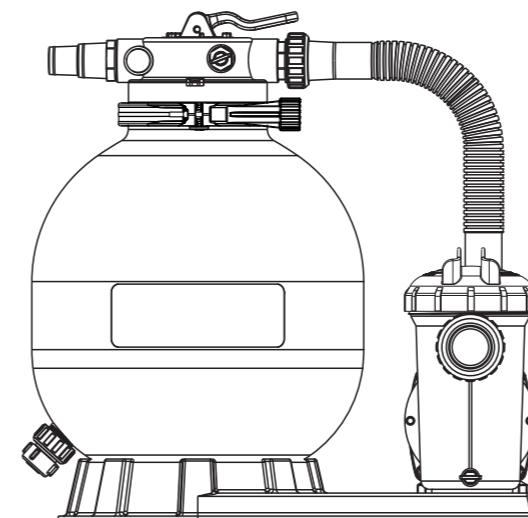


Valve Position	Function
FILTER	Normal Filtration and Vacuuming
BACKWASH	Cleaning Filter by reversing the flow
RINSE	Used after backwash to flush dirt from valve
CLOSED	Shuts off all flow to filter or pool

WARNING

- ⚠ THIS FILTER OPERATES UNDER HIGH PRESSURE. WHEN ANY PART OF THE CIRCULATING SYSTEM (e.g., CLAMP, PUMP, FILTER, VALVES, ETC.) IS SERVICED, AIR CAN ENTER THE SYSTEM AND BECOME PRESSURIZED. PRESSURIZED AIR CAN CAUSE THE LID OR VALVE TO BE BLOWN OFF WHICH CAN RESULT IN SEVERE INJURY, DEATH, OR PROPERTY DAMAGE
- ⚠ TURN PUMP OFF BEFORE CHANGING VALVE POSITION.
- ⚠ TO PREVENT DAMAGE TO THE PUMP AND FOR PROPER OPERATION OF THE SYSTEM, CLEAN PUMP STRAINER AND SKIMMER BASKETS REGULARLY.
- ⚠ DO NOT UNSCREW SCREWS OF FLANGE CLAMP WHILE PUMP IS RUNNING.

FSP390-4W+SD075



FILTER & PUMP COMBO Installation & Operating Instruction

INSTALLATION

- * Install filtration system including pump, filter tank and multiport valve.
- * The filter system should be installed as close as possible to the swimming pool and preferably at a level of 0.50 metres below the surface of the water in the swimming pool. Make sure there is drainage available at the place where the filter is to be installed.
- * **PUMP**
 - 1) Only qualified, licensed personnel should install pump and wiring.
 - 2) Electrical Contractors Please Note: All 220 volt 50Hz pump must be wired to the main power supply through an approved and correctly rated contractor.
 - 3) Allow for gate valve in suction piping.
 - 4) Pump suction and discharge connections have moulded in thread stops, do not try to screw pipe in beyond these stops.
- * **FILTER TANK and MULTIPORT VALVE**
 - 1) Loading the sand media. Filter sand media is loaded through the top opening of the filter.
 - a) Loosen the plastic clamps from tank neck.
 - b) Cap internal pipe with plastic cap to prevent sand from entering it.
 - c) We recommend filling tank approximately 1/2 way with water to provide a cushion effect when the filter sand is poured in. This helps protect the under-drain laterals from excessive shock.
 - d) Carefully pour in correct amount and grade of filter sand. Be sure center pipe remains centered in opening. Sand surface should be leveled and should come to about the middle of the filter tank. Remove plastic cap from internal pipe.
 - 2) Assemble filter control valve to filter tank.
 - a) Insert filter control valve (with O-ring in place) into the tank neck, taking care that the center pipe slips into the hole in the bottom of the valve.
 - b) Place two plastic clamps around valve flange and tank neck and tighten just enough so that the valve may be rotated on tank for final positioning.
 - c) Carefully screw pressure gauge (with O-ring in place) into tapped hole in valve body. Do not over-tighten.
 - d) Connect pump to control valve opening marked PUMP with hose. After connections are made, tighten clamps with screwdriver, tapping around clamp with screwdriver handle to help seat valve flange clamp.
 - 3) Make return to pool pipe connection to control valve opening marked RETURN and complete other necessary plumbing connections, suction lines to pump, waste, etc.
 - 4) To prevent water leakage, be sure all pipe connections are tight.

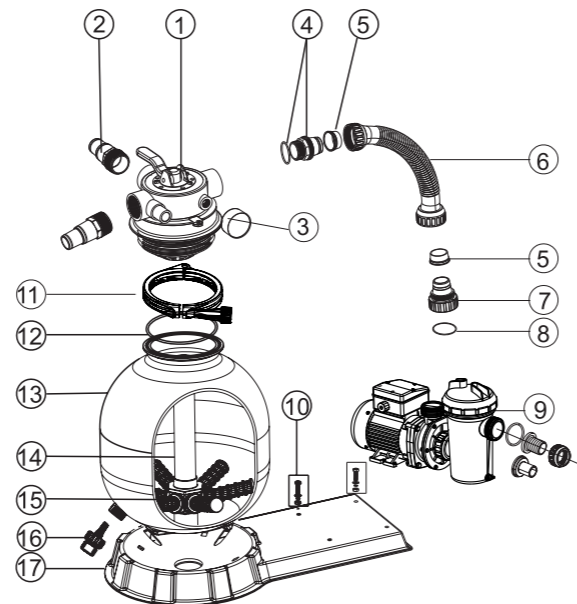
INSTALL/START-UP OF FILTRATION

- 1) Be sure correct amount of filter media sand is in tank and that all connections have been made and are secure.
- 2) Depress control valve handle and rotate to BACKWASH position. (To prevent damage to control valve seal, always depress handle before turning.)
- 3) Prime and start pump. Never run pump dry! Running pump dry may damage seals, causing leakage and flooding! Fill pump with water before starting motor. (be sure all suction and return lines are open), allowing the filter tank to fill with water. Once water is flowing out of the waste line, run the pump for at least 1 minute. The initial back-washing of the filter is recommended to remove any impurities or fine sand particles in the sand media.
- 4) Turn pump off and set valve to RINSE position. Start pump and operate until water in sight glass is clear, about 1/2 to 1 minute. Turn pump off and set valve to FILTER position and restart pump. The filter is now operating in the normal filter mode, filtering dirt particles from the pool water.
- 5) Adjust pool suction and return valves to achieve desired flow. Check system and filter for water leaks and tighten connections, bolts, nuts, as required.
- 6) Note the initial pressure gauge reading when the filter is clean. (It will vary from pool to pool depending upon the pump and general piping system.) As the filter removes dirt and impurities from the pool water, the accumulation in the filter will cause the pressure to rise and flow to diminish. When the pressure gauge reading is 1.5 bar, higher than the initial "clean" pressure you noted, it is time to backwash the filter (see BACKWASH under filter and control valve functions).

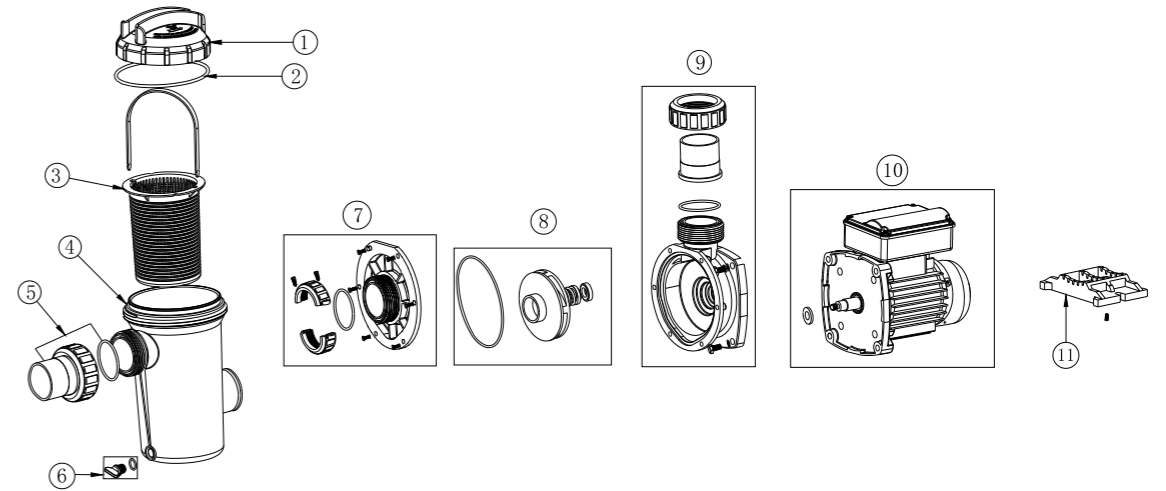
NOTE: During initial clean-up of the pool water it may be necessary to backwash frequently due to the unusually heavy initial dirt load in the water.

REPLACEMENT PARTS OF FILTER

Key No.	Part No.	Product Description	Qty
1	88281205	1.5" 4 Way Top Mount Valve	1
2	89030201	32mm & 38mm Adaptor with O-Ring	2
3	06021014	Plastic pressure gauge with O-Ring(28Psi)	1
	01111048	Connector for pressure gauge	1
4	89030204	Hose adaptor with O-Ring	1
5	02011026	Sleeve for Hose	2
6	89031601	Plastic Hose with Nut	1
7	01013049	Hose adaptor with Nut	1
8	02011104	O-Ring for pump	1
9	88022104	Pump(SD075)	1
10	89032001	Pump Assembly Screw	2
11	89011335	Clamp Lock	1
12	02010007	O-Ring for Filter Neck	1
13	01331063	P390 Filter Tank	1
14	89030207	FSP390 Lateral Assembly with Center Pipe	1
15	01172007	P400-P450 Laterals (115mm)	8
16	89011601	Water Drain Set	1
17	01111056	FSP350 Combo Base	1



SD PUMP REPLACEMENT PARTS



Key No.	Part No.	Product Description	QTY
1	01041043	Transparent Lid	1
2	02011077	O-Ring for lid	1
3	89021701	Basket with Handle	1
4	01021061	SD Pump pre-filter	1
5	89280102	1.5" Union	1
6	89021307	Drain Plug with O-Ring	1
7	89020301	Inter-Locking Kit Set	1
8	04015033	½" Mechanical Seal	1
	02011076	O-Ring	1
	01311018	SD075 Impeller (220V/50Hz)	1
9	89020304	Body Kit Set	1
10	89022106	Motor Kit Set (0.75HP)	1
11	01111029	Base	1

PRIMING PUMP

- ❖ Release all air from filter and piping system.
- ❖ In a flooded suction system (water source higher than pump), pump will prime itself when suction and discharge valves are opened.
- ❖ If pump is not in a flooded suction system, unscrew and remove trap cover; fill trap and pump with water.
- ❖ Clean and inspect Ring; re-install on trap cover.
- ❖ Replace trap cover on trap; turn clockwise to tighten cover.

NOTICE: Tighten trap cover by hand only .Pump should prime now. Priming time will depend on vertical length of suction lift and horizontal length of suction piping.