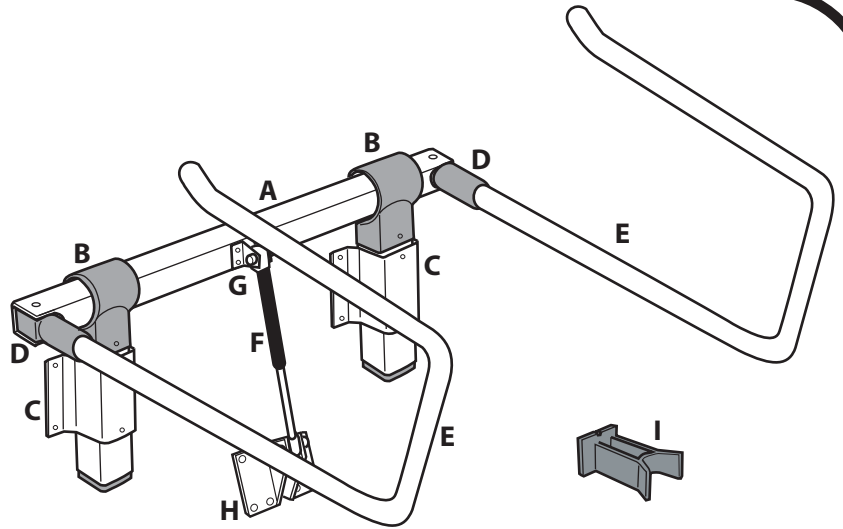
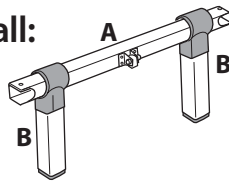


Directions for Assembling, Installing and Using the Cover Basket Spa Cover Remover



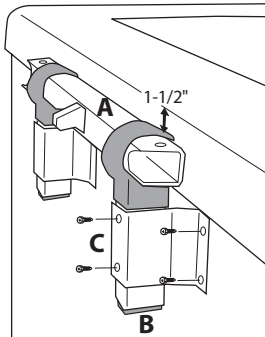
To assemble and install:

1. Keep Axle Bar (A) assembled as shown.



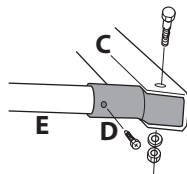
2. Center Axle Bar (A) on the side of the spa the cover will be removed onto.

3. Position each Mounting Bracket (C) so that the Axle Bar (A) is 1-1/2" below the top of the spa lip.

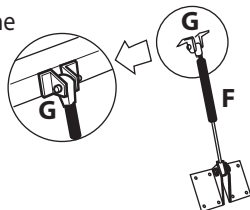


4. Using screws provided, fasten each Mounting Bracket (C) to the spa cabinet as closely as possible to the bottom of the spa lip, then fasten each Mounting Bracket (C) to the Angle Adjustment Bar (B).

5. Slide Catch Bar (E) into each Elbow (D) then fasten to Mounting Bracket (C) with 1/4" bolts, washers and nuts provided. Fasten each Catch Bar (E) to the Elbow (D) using screws provided.

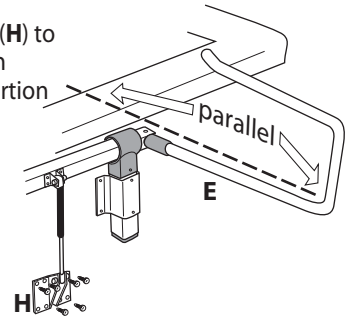


6. Using 1/4" bolts provided, fasten the Gas Spring (F) to the Threaded Socket (G). Make sure the bolt can move freely when fastened.

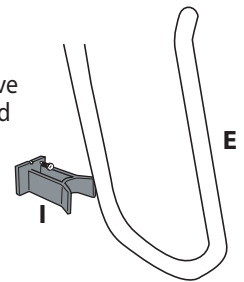


To assemble and install (continued):

7. Install the Gas Spring Bracket (H) to the spa cabinet. Position each Catch Bar (E) so its straight portion is parallel with the top of the spa lift as shown, then fasten the Gas Spring Bracket (H) to the spa cabinet with the screws provided.

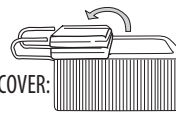


8. Position each Plastic Bumper (I) on the spa cabinet so the Catch Bar (E) will contact it slightly above the curve as shown when lowered to vertical position, then fasten each Plastic Bumper (I) to the spa cabinet at the notch with the screws provided.

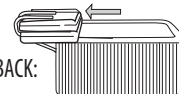


To move the spa cover off:

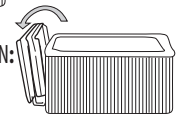
1. FLIP COVER:



2. SLIDE BACK:



3. LOWER DOWN:



THAT'S IT!