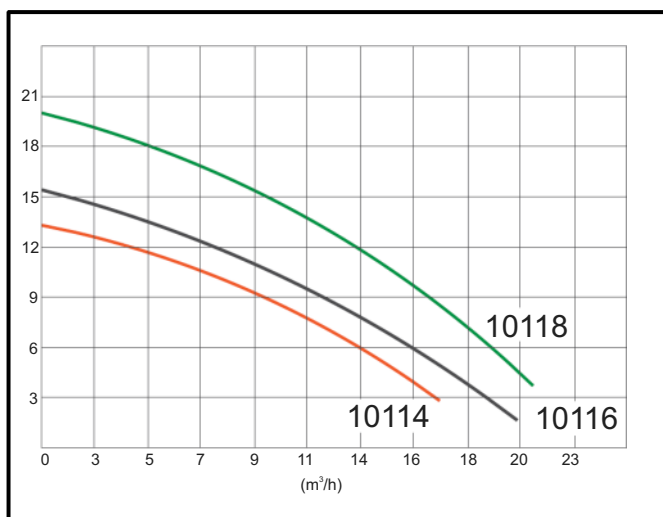


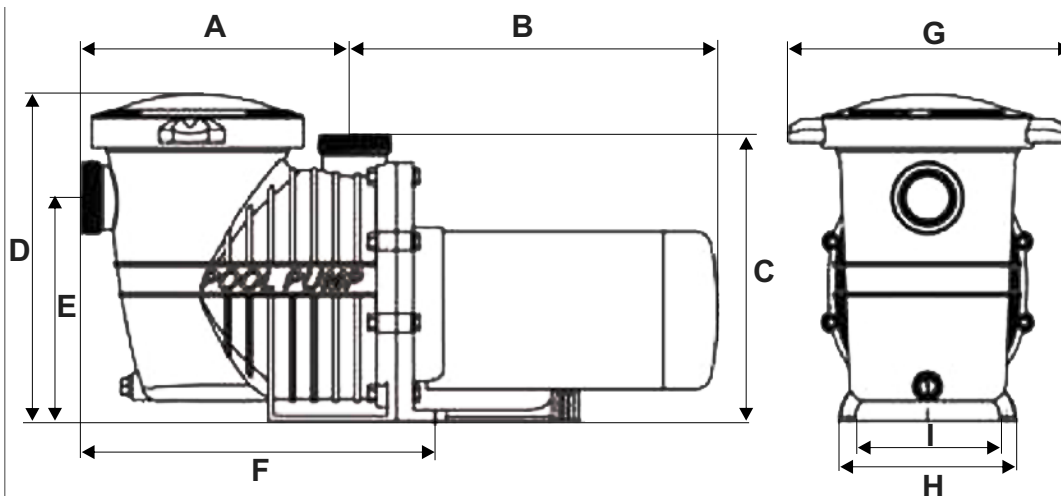
PUMP for pools

TEBAS BC-2543

Application: self-priming pump for pools



DIMENSIONS (mm)



CODE	A	B	C	D	E	F	G	H	I
10114	246	317,5	258	295	201	314,5	252	160	130
10116	246	327,66	258	295	201	314,5	252	160	130
10118	246	342,90	258	295	201	314,5	252	160	130

PUMP for pools

TEBAS BC-2543

TECHNICAL DATA

CODE	Power (kW)	Voltage (V)	Current (A)	Weight (kg)	Volume (m ³)	Capacity (m ³ /h)
10114	0,8	230	9	10	0,042	10
10116	1,0	230	10	11	0,042	14
10118	1,4	230	15	13	0,042	19

PRODUCT FEATURES

- suction lift up to 1,8 m above the water level
- all components are made of corrosion resistant materials for extra durability and long life
- impeller is made of high strength engineering grade plastic
- mechanical seals are engineered for long life and quiet operation
- motor is equipped with thermal protection to prevent overheating, increase safety and to improve reliability
- waterproof grade: IPX5, 100% drip proof
- all electrical insulation for motors wires is grade F for safety
- connections 1 ½"