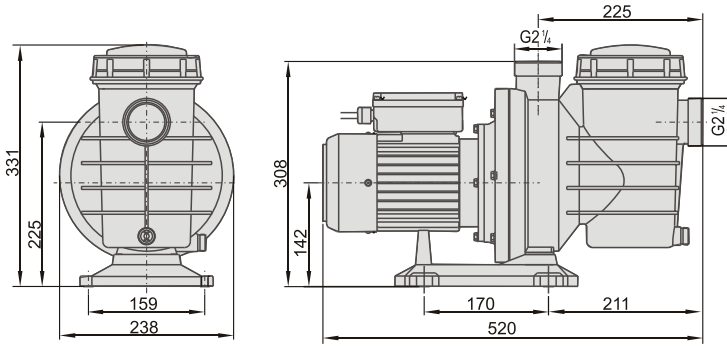
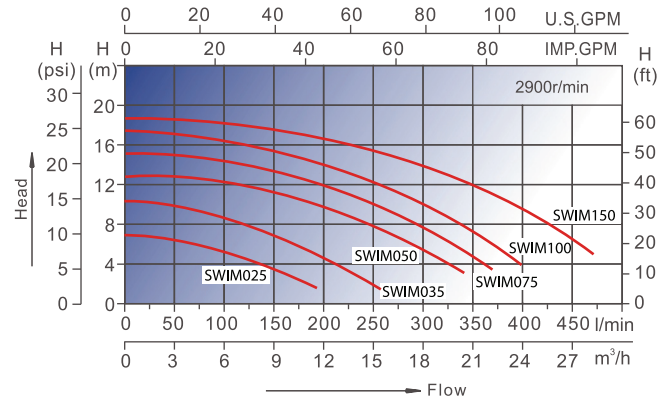


Overall dimension



Performance curves



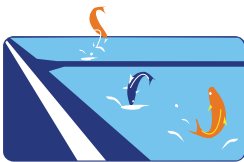
* SUS316 Material hardware that be suitable for clean water and sea water.
* Air switch/ pneumatic switch is optional.



EN 60335-1: 2012+A11
EN 60335-2-41: 2003+A1+A2
EN 60335-2-60: 2003+A1+A2+A11+A12
EN 62233 : 2008
EN60335-2-30 : 2009
EN 60335-2-35 : 2002+A1+A2
EN60335-2-80 : 2003+A1+A2
ERP547 / 2012

SAA

AS/NZS60335.1
AS/NZS60335.2.41



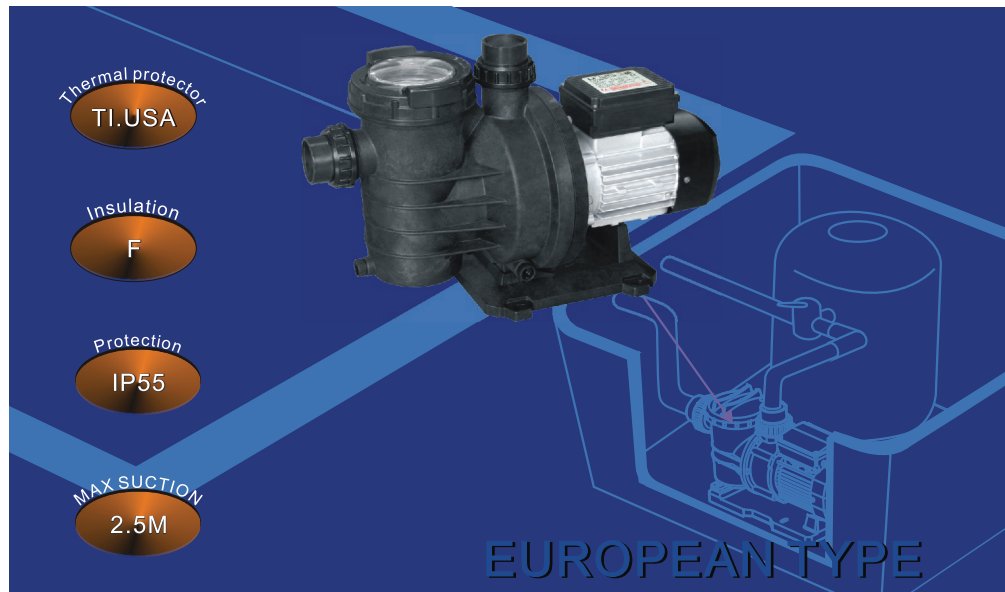
Mariculture circulation filter



Recirculation of water in swimming pool equipment

Working conditions

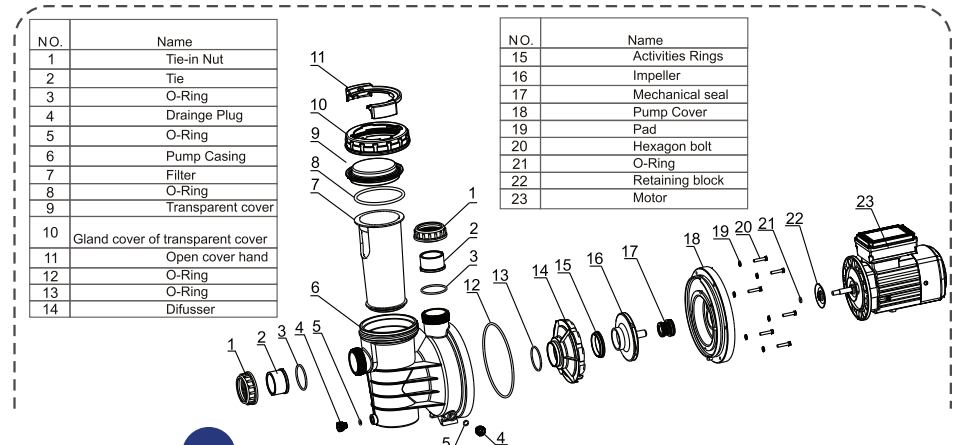
Medium temperature: 5-50°C
Environmental temperature: ≤50°C
Max. working pressure: 0.3MPa



Technical parameter list

Model	Qmax (l/min)	Hmax (m)	Curves	V/Hz	Power(P1)		Amps	Fitting size (mm)	Kg	Packing size (mm)	(Qty/20')
					kW	HP					
SWIM025	195	7	1	220-240/50	0.37	0.50	1.9	48.5or50	9.3	560×275×390	483
SWIM035	255	10	2	220-240/50	0.55	0.75	2.7	48.5or50	9.5	560×275×390	483
SWIM050	340	12.5	3	220-240/50	0.75	1.0	3.8	48.5or50	9.7	560×275×390	483
SWIM075	370	15	4	220-240/50	0.9	1.2	4.6	48.5or50	10.5	560×275×390	483
SWIM100	390	17.5	5	220-240/50	1.1	1.5	5.8	48.5or50	10.9	560×275×390	483
SWIM150	470	18.5	6	220-240/50	1.5	2.0	7.0	48.5or50	11.5	560×275×390	483

230V/60Hz, 110V/60Hz, 110V/50Hz models are available on request



NO.	Name
1	Tie-in Nut
2	Tie
3	O-Ring
4	Drainage Plug
5	O-Ring
6	Pump Casing
7	Filter
8	O-Ring
9	Transparent cover
10	Gland cover of transparent cover
11	Open cover hand
12	O-Ring
13	O-Ring
14	Difusser

NO.	Name
15	Activities Rings
16	Impeller
17	Mechanical seal
18	Pump Cover
19	Pad
20	Hexagon bolt
21	O-Ring
22	Retaining block
23	Motor