

Sand Filter System

PLUG & PLAY COMBO

User-friendly and excellent filtration performance



Product Features

1. Easy installation with pre-installed plumbing system and base
2. Filter structure with UV resistance material
3. Top mount and Side mount available
4. For residential pool and above-ground pool

 **Emaux**
water technology

Pool & Spa Equipment

Sand Filter System FSU SERIES

Ultra Filter System

For above-ground pool

Valve

4-Way Multiport Valve

Max Working Pressure

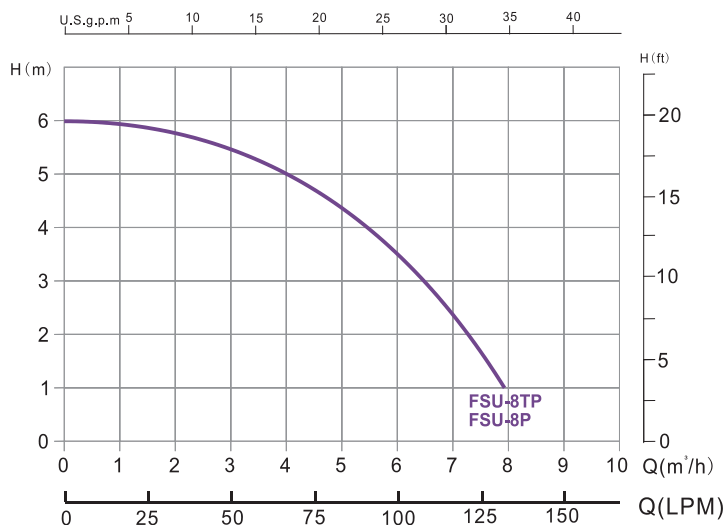
28psi/2bar

Max Water Temperature

40°C (104°F)

Suggested Size Of Media

0.5-0.8mm

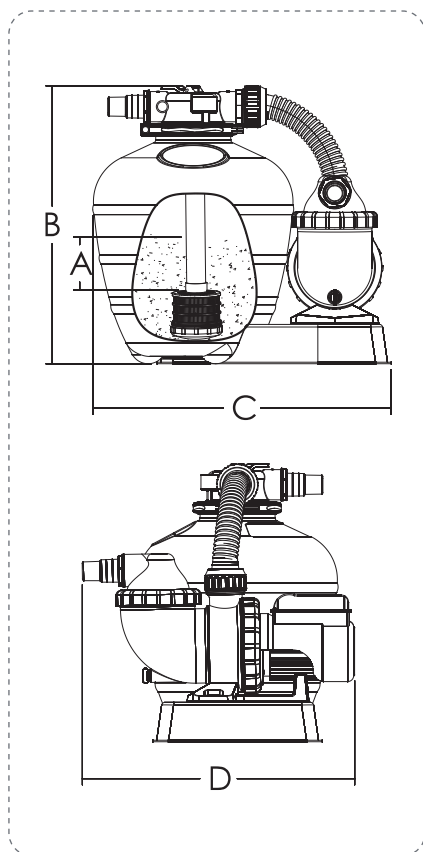


Remarks: Flow curve information based on 220V/50Hz motor.

Product Information and Dimension

Note: Suggest sand weight varies with differences in filter media size. For reference only.

Code	Model	Filter	Pump	Max. Flow Rate	Sand (kg)	A (mm)	B (mm)	C (mm)	D (mm)	Filter & Pump In/Out Connection	Adaptor	
88033669	FSU-8TP	13" Filter	AMU020TP	133.3lpm	8.0m³/h	17	145	460	494	450	1.5" / 50 mm	1 1/4" & 1 1/2" 32 & 38mm
88033671	FSU-8P	13" Filter	AMU020P	133.3lpm	8.0m³/h	17	145	460	494	450	1.5" / 50 mm	1 1/4" & 1 1/2" 32 & 38mm



FSU Series Filtration Combo

includes:

- 1) Durable top mount plastic filter tank
- 2) 4-Way Multiport Valve
- 3) Aqua-Mini Pump (AMU020TP or AMU020P)
- 4) Timer (optional)

Sand Filter System **FSP SERIES**

Compact Filter System

For above-ground pool

Valve

4-Way Multiport Valve

Max Working Pressure

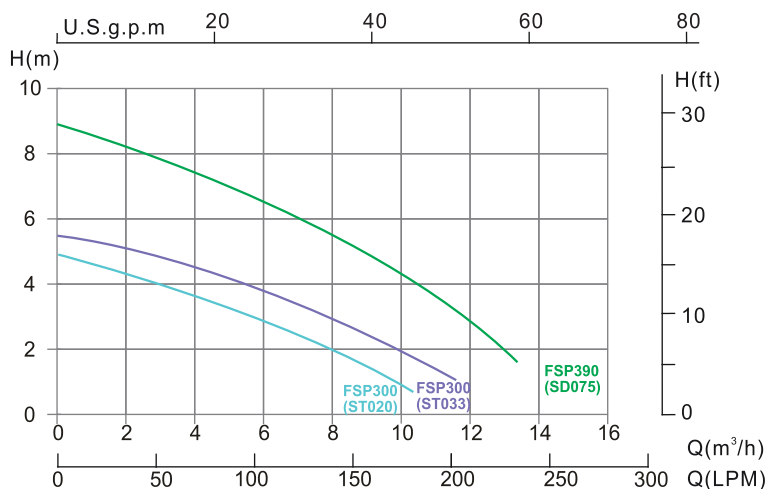
28psi/2bar

Max Water Temperature

40°C (104°F)

Suggested Size Of Media

0.5-0.8mm



Remarks: Flow curve information based on 220V/50HZ motor.

Product Information and Dimension

Note: Suggest sand weight varies with differences in filter media size. For reference only.

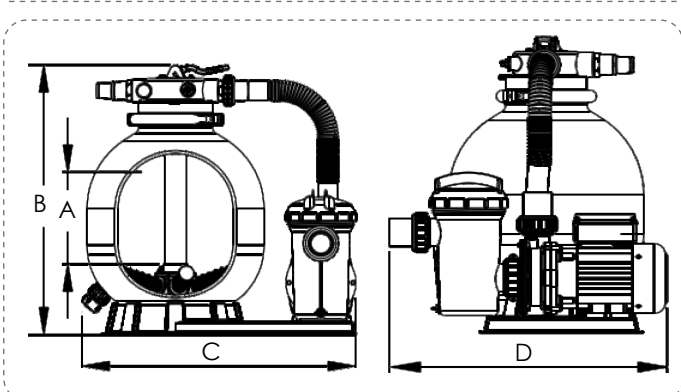
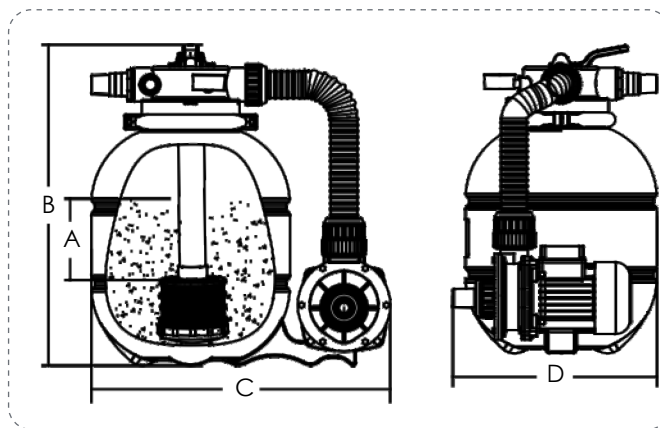
Code	Model	Filter	Pump	Max. Flow Rate	Sand (kg)	A (mm)	B (mm)	C (mm)	D (mm)	Filter & Pump In/Out Connection	Adaptor
88030201	FSP300-4W	P300	ST020	58lpm 3.5m³/h	19	145	540	485	330	1.5" / 50 mm	1 1/4" & 1 1/2" 32 & 38mm
88030202	FSP300-4W	P300	ST033	67lpm 4.02m³/h	19	145	540	485	330	1.5" / 50 mm	1 1/4" & 1 1/2" 32 & 38mm
88033718	FSP390-4W	P390	SD075	133lpm 8.00m³/h	35	235	724	760	527	1.5" / 50 mm	1 1/4" & 1 1/2" 32 & 38mm



FSP300 Filtration Combo

includes:

- 1) Durable top mount plastic filter tank (P300 Filter)
- 2) 4-Way Multiport Valve
- 3) ST Series Pump (ST020 or ST033)



FSP390 Filtration Combo

includes:

- 1) Durable top mount plastic filter tank (P390 Filter)
- 2) 4-Way Multiport Valve
- 3) SD075 Pump



Sand Filter System **FSP SERIES**

FSP Filter System

For residential pool or above ground pool

Valve

4 or 6-Way Multiport Valve

Max Working Pressure

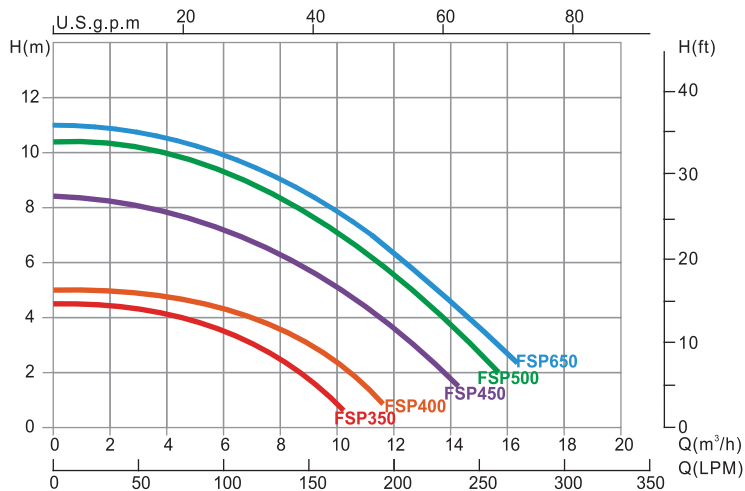
28psi/2bar

Max Water Temperature

40°C (104°F)

Suggested Size Of Media

0.5-0.8mm



Remarks: Flow curve information based on 220V/50Hz motor.

Product Information and Dimension

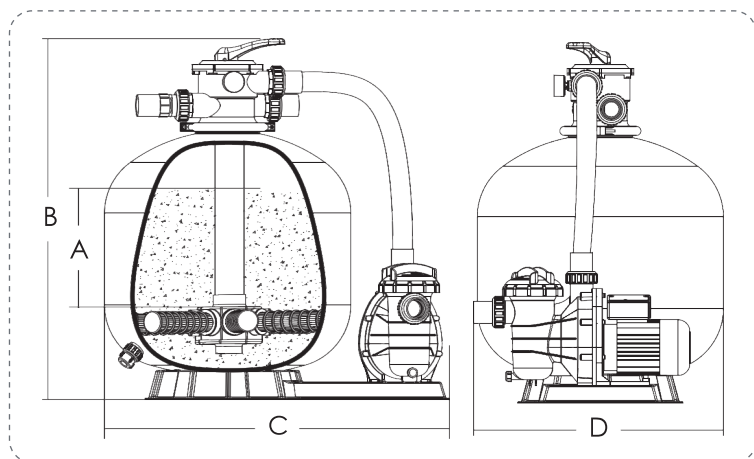
Note: Suggest sand weight varies with the differences in filter media size. For reference only.

Code (4-way Valve)	Code (6-way Valve)	Model	Filter	Pump	Valve Connections	Sand (kg)	A (mm)	B (mm)	C (mm)	D (mm)	Max. Flow Rate
88030308	--	FSP350-4W	P350	SS020	1.5" / 50mm	20	160	580	555	350	72lpm 4.32m³/h
88030409	--	FSP400-4W	P400	SS033	1.5" / 50mm	35	175	625	760	400	108lpm 6.48m³/h
88030510	--	FSP450-4W	P450	SS050	1.5" / 50mm	45	210	680	760	449	135lpm 8.10m³/h
88030611	--	FSP500-4W	P500	SS075	1.5" / 50mm	85	235	724	760	527	185lpm 11.10m³/h
88030712	--	FSP650-4W	P650	SS100	1.5" / 50mm	145	300	832	760	627	260lpm 15.60m³/h
--	88031508	FSP350-6W	P350	SS020	1.5" / 50mm	20	160	680	555	350	72lpm 4.32m³/h
--	88031609	FSP400-6W	P400	SS033	1.5" / 50mm	35	175	759	760	400	108lpm 6.48m³/h
--	88031710	FSP450-6W	P450	SS050	1.5" / 50mm	45	210	813	760	449	135lpm 8.10m³/h
--	88031811	FSP500-6W	P500	SS075	1.5" / 50mm	85	235	856	760	527	185lpm 11.10m³/h
--	88031912	FSP650-6W	P650	SS100	1.5" / 50mm	145	300	961	760	627	260lpm 15.60m³/h

FSP Series Filtration Combo

includes:

- 1) Durable top mount plastic filter tank
- 2) 4 or 6-Way Multiport Valve
- 3) SS Series Pump



Sand Filter System **FSF SERIES**

FSF Filter System

For residential pool

Valve

6-Way Multiport Valve

Max Working Pressure

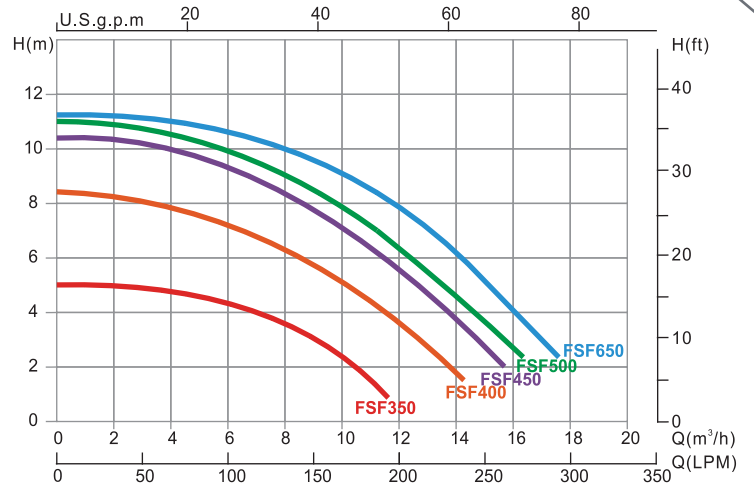
36psi/2.5bar

Max Water Temperature

43°C (109°F)

Suggested Size Of Media

0.5-0.8mm



Remarks: Flow curve information based on 220V/50HZ motor.

Product Information and Dimension

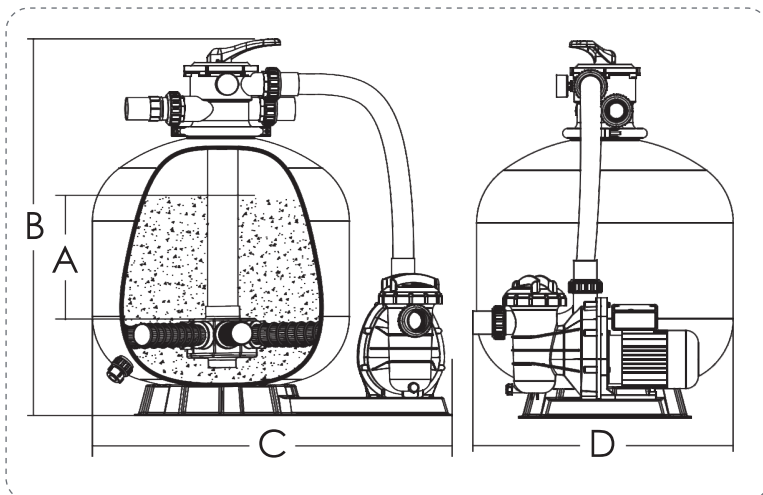
Note: Suggest sand weight varies with the differences in filter media size. For reference only.

Code	Model	Filter	Pump	Valve Connections	Sand (kg)	A (mm)	B (mm)	C (mm)	D (mm)	Max. Flow Rate
88032009	FSF350-6W	V350	SS033	1.5" / 50mm	20	160	680	555	355	72lpm 4.32m³/h
88032110	FSF400-6W	V400	SS050	1.5" / 50mm	35	175	759	760	410	108lpm 6.48m³/h
88032211	FSF450-6W	V450	SS075	1.5" / 50mm	45	210	813	760	455	135lpm 8.10m³/h
88032324	FSF500-6W	V500	SC100	1.5" / 50mm	85	235	856	760	535	185lpm 11.10m³/h
88032425	FSF650-6W	V650	SC150	1.5" / 50mm	145	300	961	760	635	260lpm 15.60m³/h

FSF Series Filtration Combo

includes:

- 1) Top mount fiberglass filter tank
- 2) 6-Way Multiport Valve
- 3) SS or SC Series Pump



Sand Filter System **FSJ SERIES**

FSJ Filter System

For residential pool

Valve

6-Way Multiport Valve

Max Working Pressure

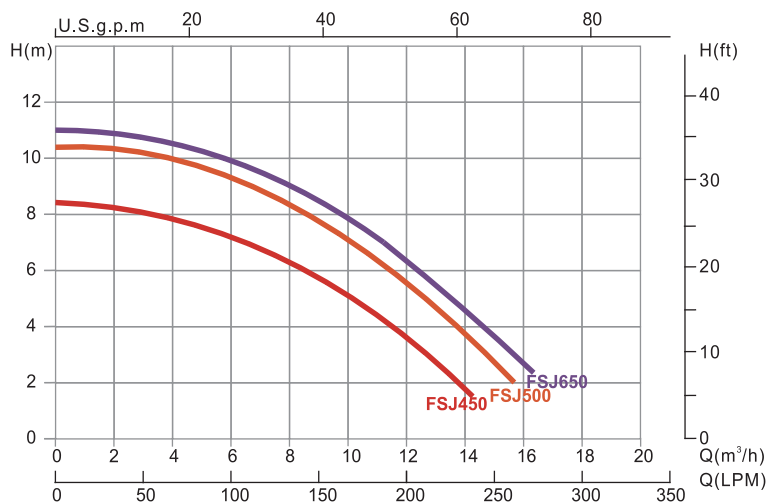
28psi/2bar

Max Water Temperature

40°C (104°F)

Suggested Size Of Media

0.5-0.8mm

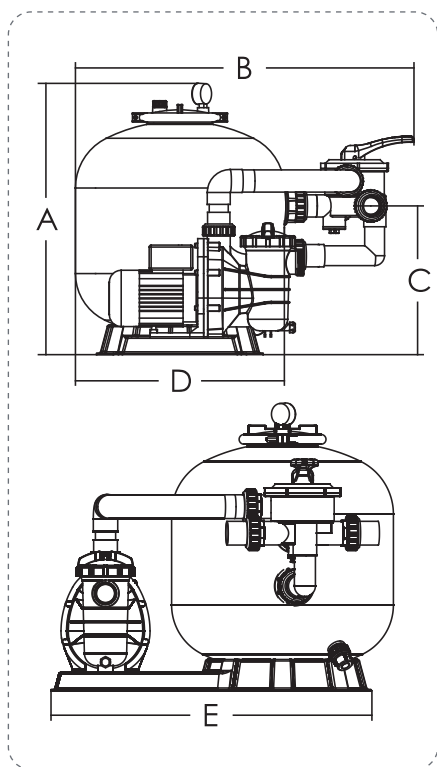


Remarks: Flow curve information based on 220V/50Hz motor.

Product Information and Dimension

Note: Suggest sand weight varies with the differences in filter media size. For reference only.

Code	Model	Filter	Pump	Valve Connections	Sand (kg)	A (mm)	B (mm)	C (mm)	D (mm)	E (mm)	Max. Flow Rate
88032610	FSJ450-6W	SP450	SS050	1.5" / 50mm	45	730	790	360	449	760	135lpm 8.10m³/h
88032711	FSJ500-6W	SP500	SS075	1.5" / 50mm	85	770	867	390	527	760	185lpm 11.10m³/h
88032812	FSJ650-6W	SP650	SS100	1.5" / 50mm	145	850	967	430	627	760	260lpm 15.60m³/h



FSJ Series Filtration Combo

includes:

- 1) Side mount plastic filter tank
- 2) 6-Way Multiport Valve
- 3) SS Series Pump



Sand Filter System **FSB SERIES**

FSB Filter System

For residential pool

Valve

6-Way Multiport Valve

Max Working Pressure

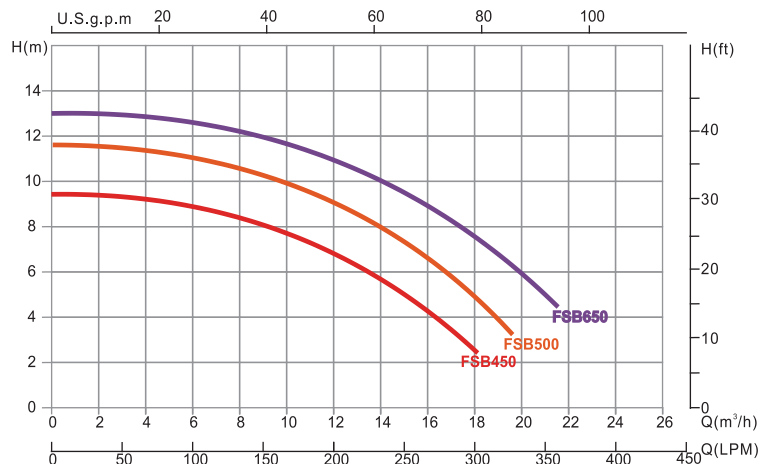
36psi/2.5bar

Max Water Temperature

43°C (109°F)

Suggested Size Of Media

0.5-0.8mm

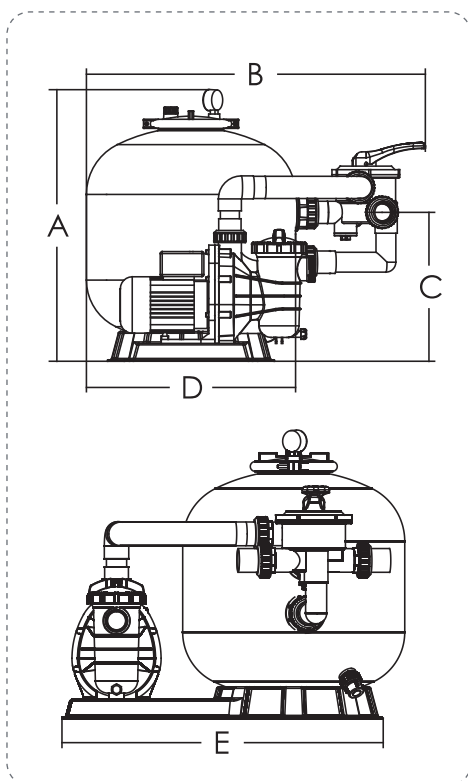


Remarks: Flow curve information based on 220V/50HZ motor.

Product Information and Dimension

Note: Suggest sand weight varies with the differences in filter media size. For reference only.

Code	Model	Filter	Pump	Valve Connections	Sand (kg)	A (mm)	B (mm)	C (mm)	D (mm)	E (mm)	Max. Flow Rate
88032911	FSB450-6W	S450	SS075	1.5" / 50mm	45	730	790	360	449	760	135lpm 8.10m³/h
88033024	FSB500-6W	S500	SC100	1.5" / 50mm	85	770	867	390	527	760	185lpm 11.10m³/h
88033025	FSB650-6W	S650	SC150	1.5" / 50mm	145	850	967	430	627	760	260lpm 15.60m³/h



FSB Series Filtration Combo

includes:

- 1) Side mount fiberglass filter tank
- 2) 6-Way Multiport Valve
- 3) SS or SC Series Pump



EMAUX WATER TECHNOLOGY CO., LTD
ADDRESS G/F 41 TIN HAU TEMPLE ROAD,
NORTH POINT, HONG KONG
PHONE +852 2832 9880
www.emauxgroup.com

 STRIVE FOR CLEAR WATER

Available from: