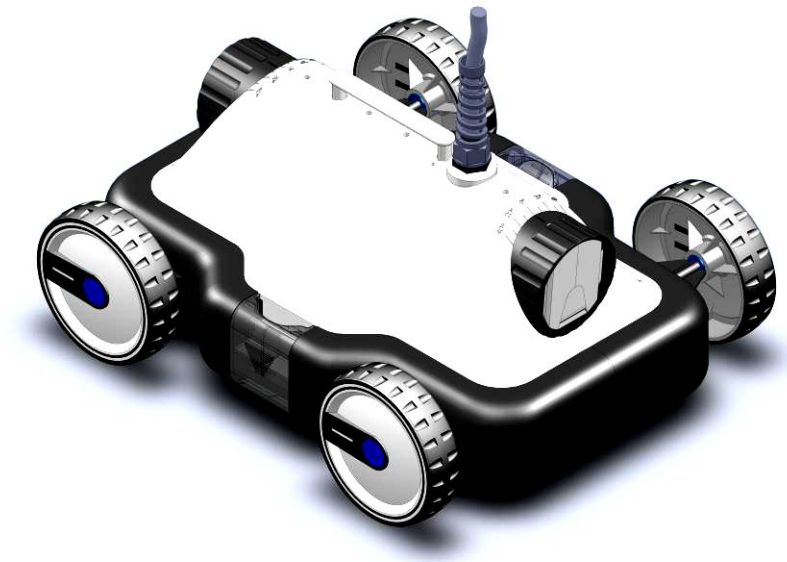


# **ROBOTIC SWIMMING POOL FLOOR CLEANER HJ1005**



## **USER MANUAL**

Subject to update by manufacturer without prior notice

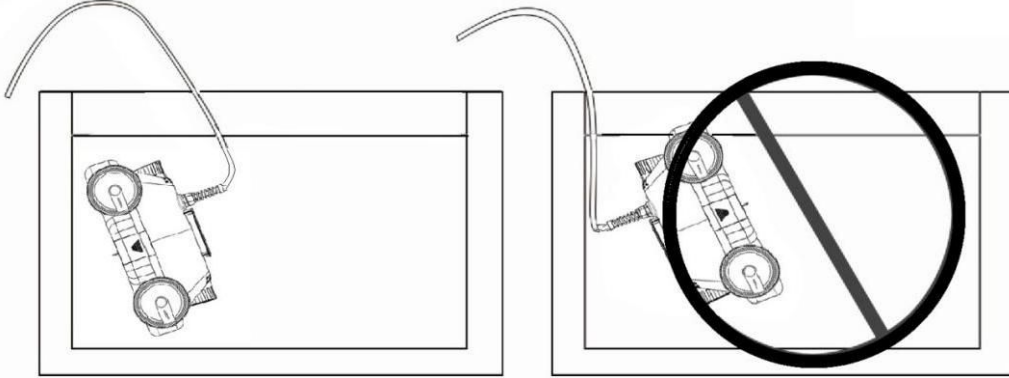


### **Important Precautions**

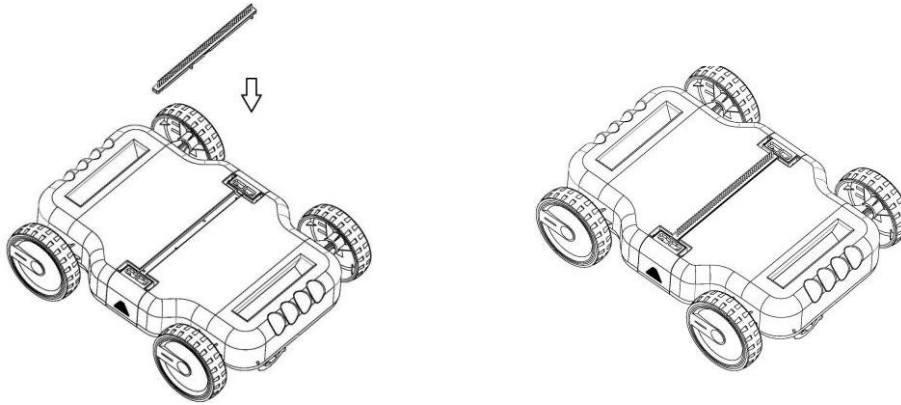
1. This model applies to swimming pool with flat floor.
2. Do not power on the unit when it is outside of the water.
3. Make sure the power cord is connected to a leakage protective device and appropriate earthed socket.
4. Do not operate the cleaner when there is people in pool.
5. Do not try to move the floaters along the electric cable. Leave them always in the original positions.
6. Before power on, make sure the cable is fully released to avoid any winding, which could affect the cleaner's performance or cause damage.
7. The filter tray should be cleaned after use. This will prevent the dirty filter tray affecting the normal operation of the cleaner.
8. The cleaner should be stored in a cool and ventilated place, away from direct sunlight.
9. The power supply unit should be placed in a shaded area. In order to avoid overheating and the potential damage of components, never cover the power supply unit.
10. Only authorized personnel should open the cleaner's motor assembly and power supply unit, fail to do which will cause a invalid warranty.
11. In order to avoid any accident/damage, the power supply unit should be steadily placed at a minimum distance of 3.5m from the pool edge.
12. Do not use the cleaner beyond the working environment/conditions stated in this manual. Read this manual carefully before use.
13. Do not uncover the button film
14. Close the filtering system of your pool when use this cleaner.
15. Slightly water pollution may occur in case grease in motor seal oil leaks.
16. This model only applies to small pools that corresponding to cleaner's cable length, there is risk for the cleaner to work in a too big pool to cause pulling the cleaner upside down by the limited cable.
- 17.** Make sure the power unit be properly positioned for the cleaner to cover as large as pool surface and in the meantime cleaner has surplus cable once touching the pool end.

## Note

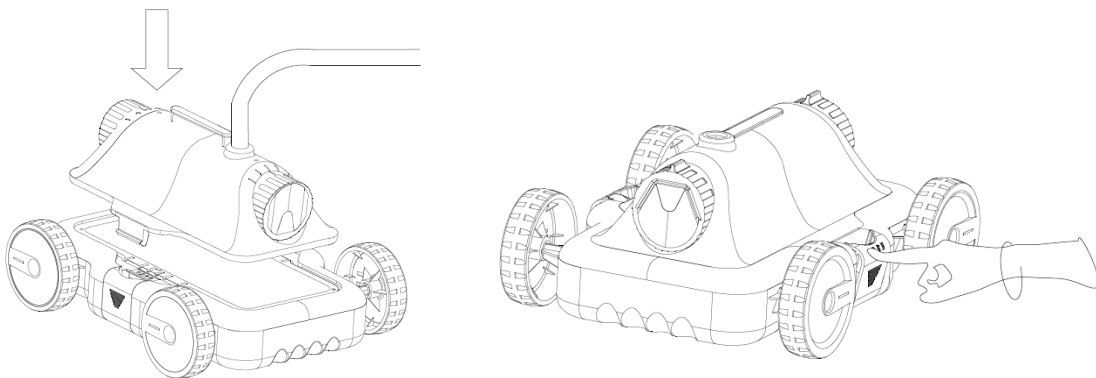
1. Putting into or lifting out from pool with the cleaner bottom toward the wall to avoid any possible scratch to the pool surface.



2. Install the brush before use to avoid possible dirt leaks.



3. Please press the buckle to make sure top cover is tightly assembled.



# Contents

<b>I . Introduction</b> .....	<b>P. 4</b>
<b>II . Safety</b> .....	<b>P. 4</b>
<b>III. Specifications</b> .....	<b>P. 4</b>
<b>IV. Cleaner Structure</b> .....	<b>P. 5</b>
<b>V . Operation Instructions</b> .....	<b>P. 6</b>
<b>VI. Trouble Shooting</b> .....	<b>P. 12</b>
<b>VII. Packing List</b> .....	<b>P. 12</b>
<b>VIII Warranty</b> .....	<b>P. 12</b>

## **I . Introduction:**

The automatic swimming pool floor cleaner MIA HJ1005 is a new type of highly efficient swimming pool cleaning equipment. Through its advanced computer controlled program, it can clean the pool floor automatically without draining pool water. At the same time, it filters the pool water and gets rid of suspended particles and sediments.

For the safe operation, the cleaner works on DC 24V.

**Please read this instruction manual carefully before use.**

## **II. Safety:**

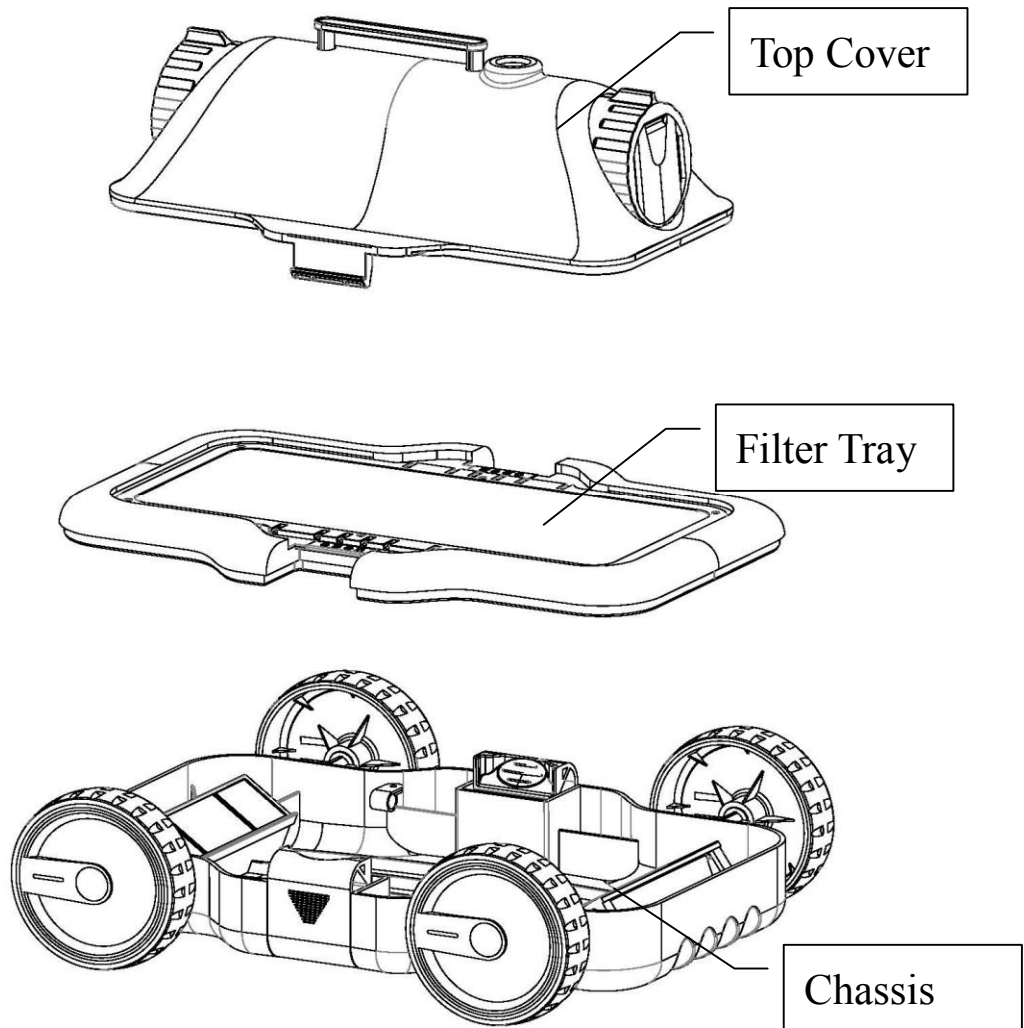
- 1, Position requirement of power supply unit: Refer to item 9 and 11 in "Important Precautions".
- 2, Requirement of power: Refer to item 3 in "Important Precautions".

△ Make sure the cleaner corresponds to your local voltage and frequency (hertz).

## **III. Specifications:**

1. Rated input voltage and frequency: 110V/60Hz ; 220V/50Hz
2. Output Voltage: DC24V
3. Rated output power: 150W
4. Working cycle: 1h/1.5h/2h
5. Cable length: 9m (29.5ft) / 12m (;
6. Maximum cleaning area: 25m<sup>2</sup> (for 9m cable in rectangle pool); 60m<sup>2</sup> (for 12m cable in rectangle pool)
7. Filtering capacity: 18m<sup>3</sup>/h (4755 gal)
8. Filter density: 180μm
9. Water temperature of use(for cleaner): 10°C - 35°C / 50°F - 95°F
10. Creeping speed: 20m/min
11. IP Grade: Cleaner-IPX8      Power supply unit-IPX4
12. Working environment temperature(for power unit): 10°C - 40°C / 50°F - 104°F
13. Maximum pool depth: 2m
14. Climb slope: Maximum 15°C

## □. Cleaner Structure

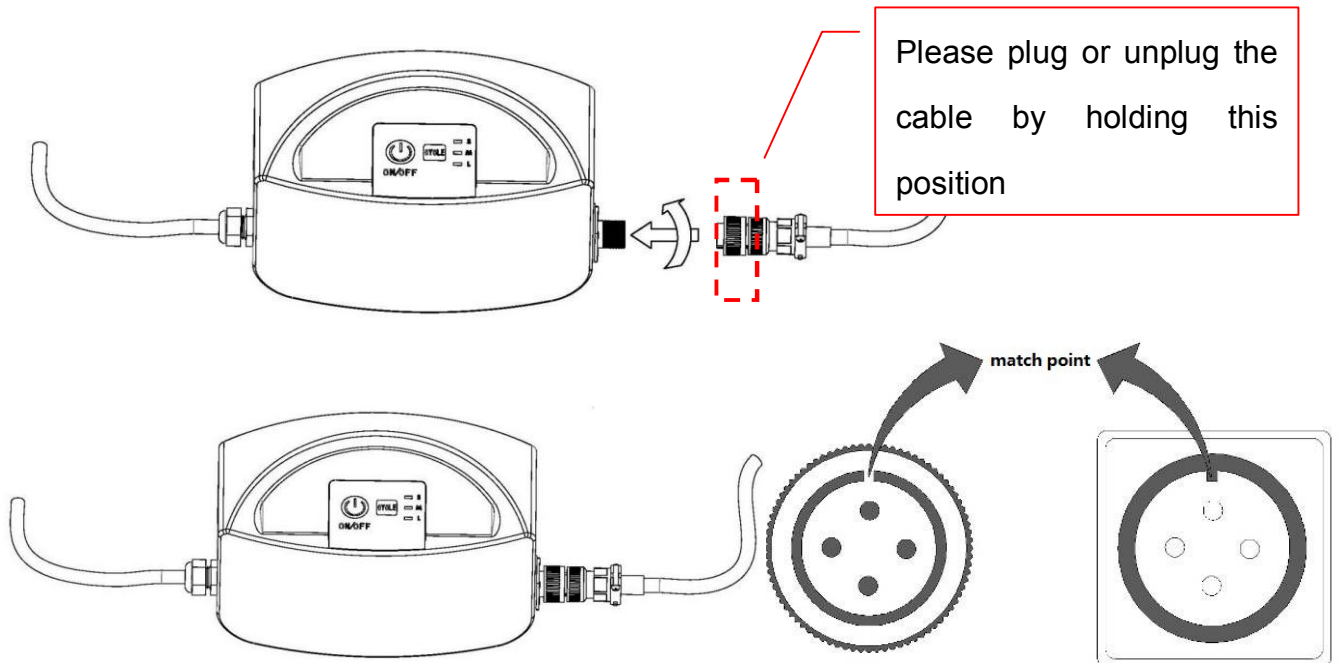


Assembly the cleaner according to above structure

## □. Operation Instruction

### 5.1 Cable connection

5.1.1 Plug the cable line into the socket on the power supply unit (note: make sure to plug it in the correct direction and position), and fasten the nuts on both sides of the plug.



5.1.2 Connect the plug with power

### 5.2 Operating panel

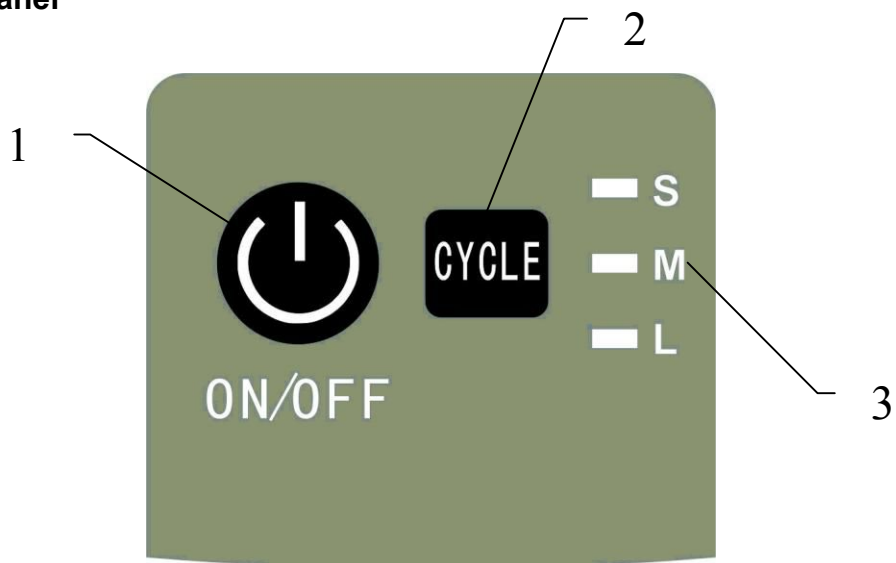
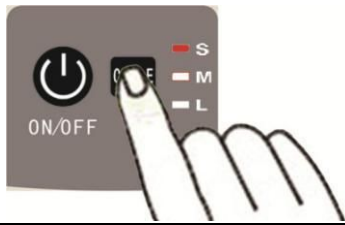

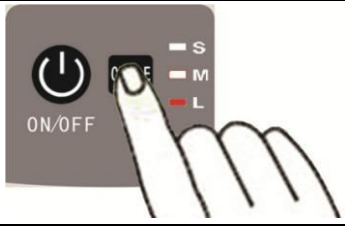
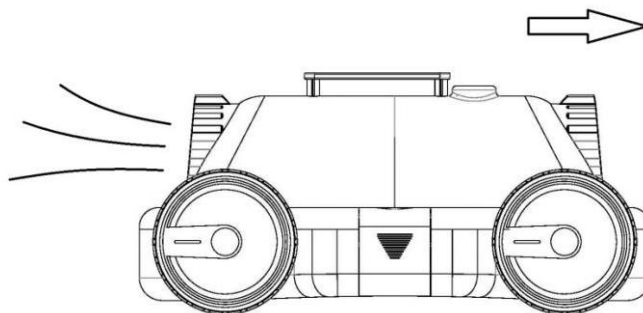


Chart 5-1. Buttons & indicator lights instructions

Item	Name	Function	Detail
1	ON / OFF	Power on or off	Power on or off
2	CYCLE		Stop after 1 hour working, Moving direction reverses every 16 seconds, suit for small swimming pool
			Stop after 1.5 hour working, Moving direction reverses every 25 seconds, suit for medium swimming pool
			Stop after 2 hour working, Moving direction reverses every 35 seconds, suit for large swimming pool
3	INDICATOR		Flash by corresponding cycle, all indicators flash after one cycle finish.

### 5.3 Function and adjustment of nozzle

There are two nozzles on the cleaner, one of them opens once the other closes. Water flows out through the opening nozzle to thrust the cleaner move forward. Adjust the nozzle by rotating it to control the moving path.



#### 5.3.1 : Settings of nozzle

Nozzle angle from 0° to 40°

Cleaner moves in approximately straight line when nozzles in position 0° .

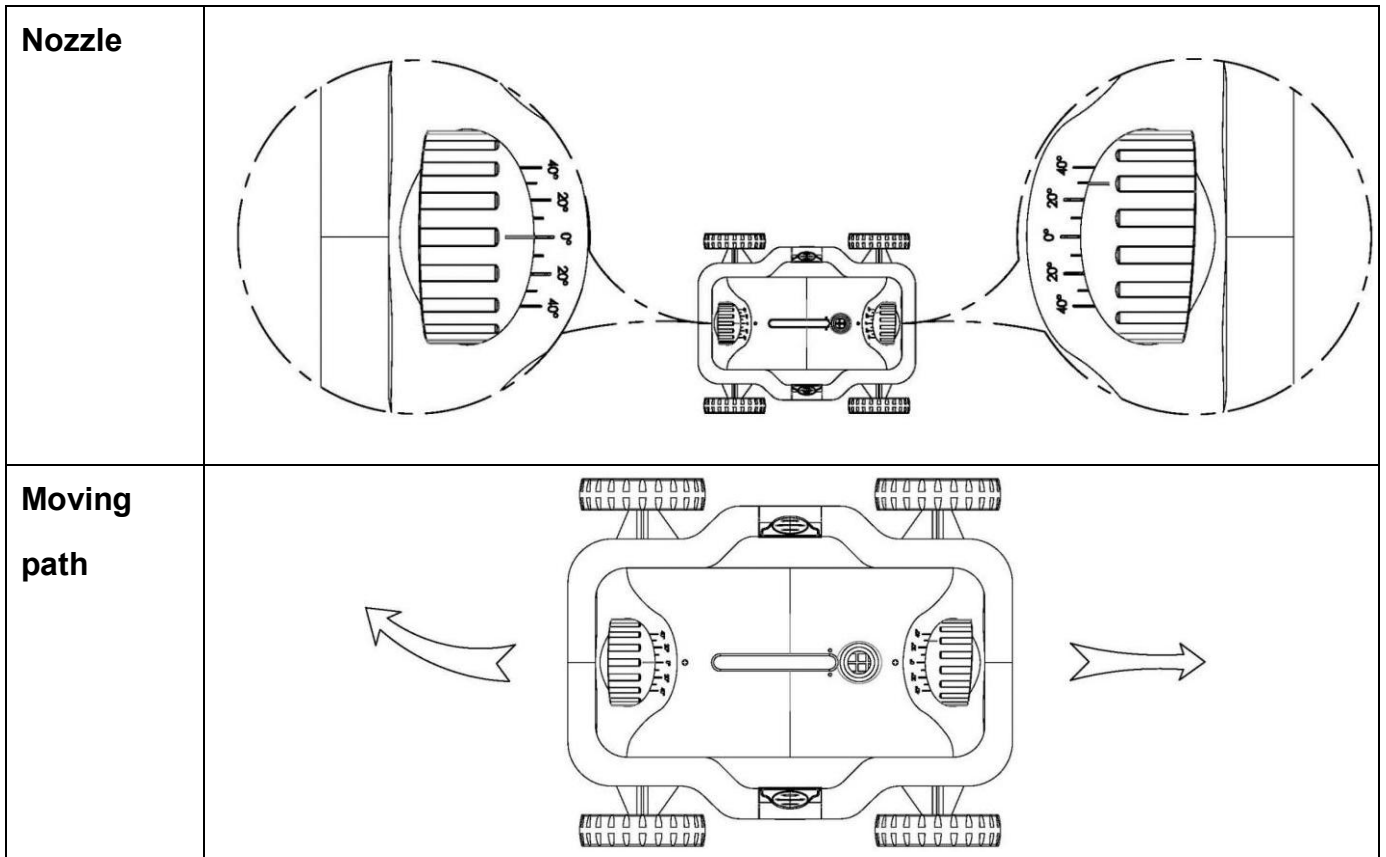
Cleaner moves in a more curved line at a larger angle from 0° —40° .

Note: A full coverage is not guaranteed for some of free shape pools.

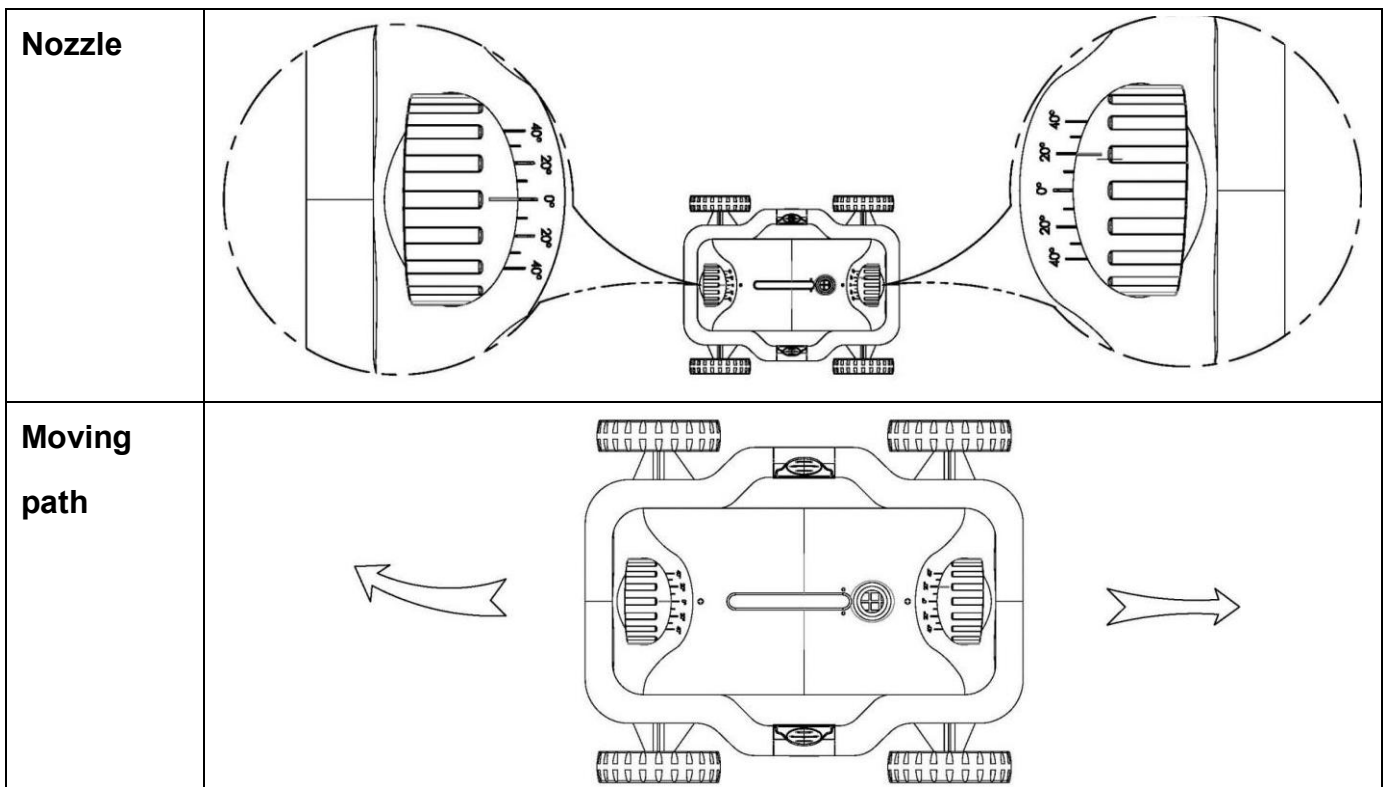


**5.3.2 Recommended cycle and nozzle settings:**

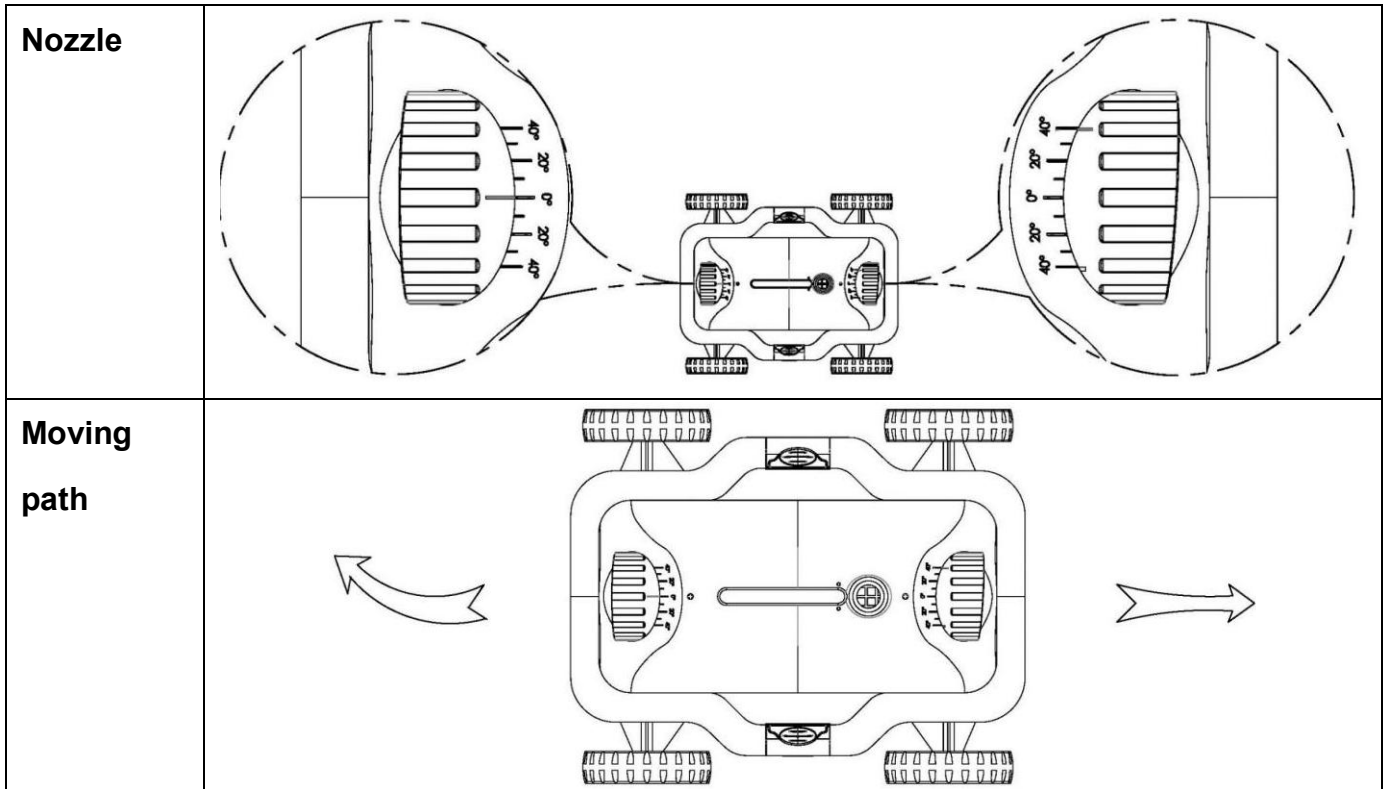
**Setting 1 (Default Setting), 0° / 30° , for most pools.**



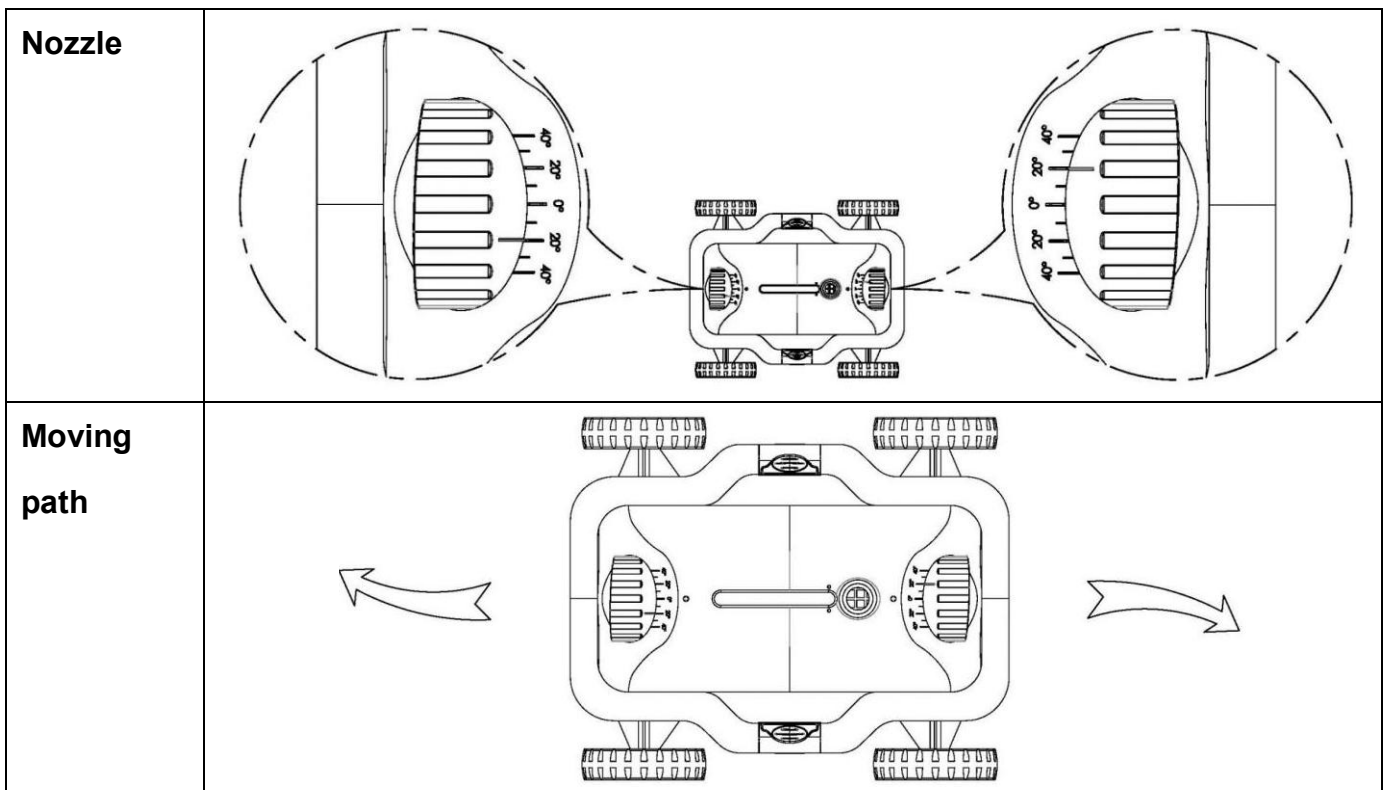
**Setting 2, 0° / 20°** Chose this angle in case cable twist occurs under Setting 1.



**Setting 3, 0° / 40° For a larger pool coverage.**



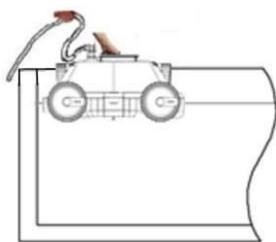
**Setting 4, 20° / 20° , For round pool.**



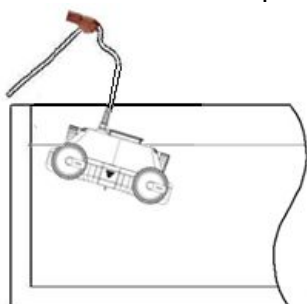
**Note: Above are recommended settings, different setting may applies to specific pools.**

### 5.4 Methods of putting the cleaner into pool

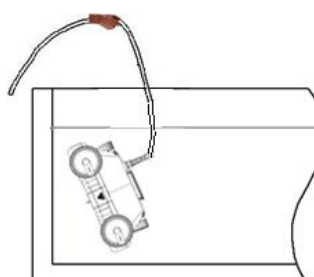
Hold a proper position of the cable by one hand ( be sure that the cable from hand to cleaner will let the cleaner immerge into water but above the floor), hold the cleaner handle by the other hand to put the cleaner into water slowly.



Keep holding the cable before the cleaner filled with water and sinks into pool floor.



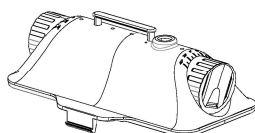
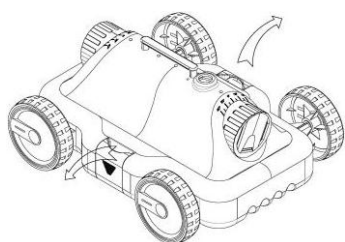
Release the rest of the cable after the cleaner falls onto the pool floor slowly.



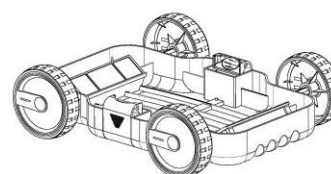
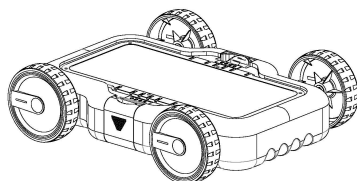
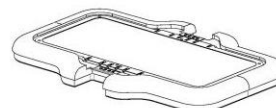
It'll avoid any turning upside down of the cleaner by following above methods.

### 5.5 Clean the filter tray

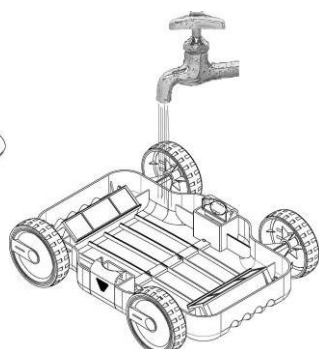
Open cleaner



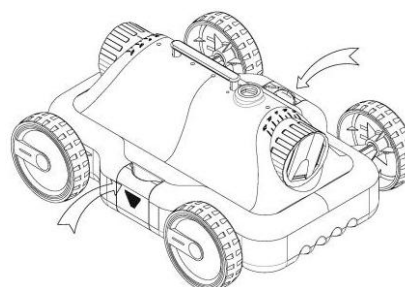
Take out filter tray



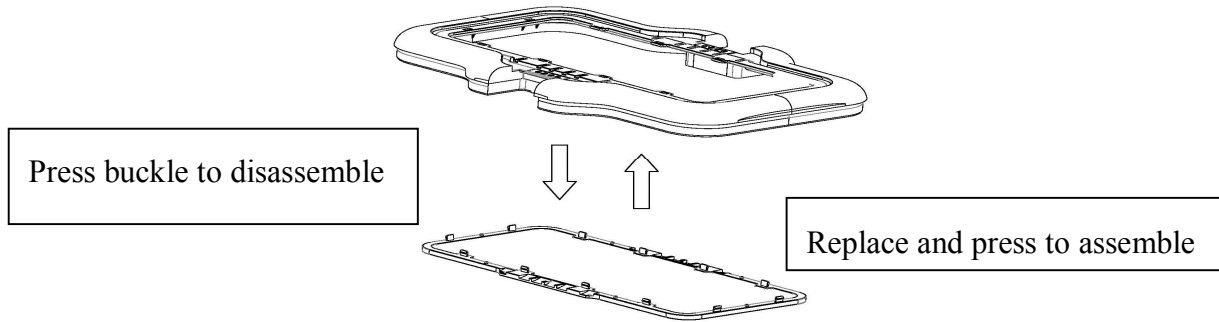
Wash the filter tray and chassis then reassemble the cleaner



Press to latch

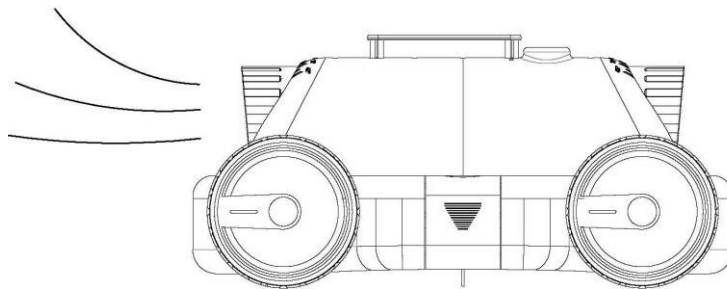


## 5.6 Filter tray replacement

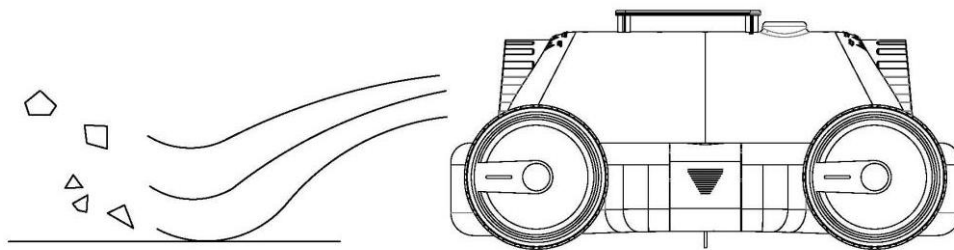


## 5.6 Sweeping mode

Under normal circumstances, put nozzle towards obliquely upward so as to avoid blowing away sewage on the pool floor.



For some specific pools, sweeping mode could be used for blowing up debris located in dead corner or fine particles so as to collect or filter them by main filter system of the pool.



## 5.7 Helpful tips

- i. Unplug power connection immediately after use (Do not do it with wet hand or naked foot).
- ii. The cleaner should not touch pool walls while lifting out to avoid scratching the pool surface or any damage to the cleaner.
- iii. Before lifting out from pool and placing on the pool edge, suspend the cleaner above water surface for 10-15 seconds to release the water left inside the cleaner body.
- iv. Please hold the cleaner handle to lift it out from pool and never pull the cable.

## □. Trouble Shooting

Symptom	Possible reason	Corrective action
Cable twists or coils up	Cable not fully released	Unplug power line and release cable
	Nozzle in extra angle	Adjust water outlet into proper angle
	Obstruction in pool	Remove obstruction in pool
	Stuck on main drain outlet of the pool	Turn off pool filter system
	Long time working	Release manually
Cleaner does not reach all pool area	Power supply unit improperly positioned	Place power supply in proper position so that cleaner can reach all area
	Nozzle in improper direction	Adjust nozzle into proper direction
	Customized pool shape	Adjust the nozzle to lead to bigger moving radius
	Pool filter system and pump open	Turn off pool filter system
	Cable not long enough in pool	Release cable
Cleaner does not work	Power cord not connected well	Plug power cord and cable line
	Damaged during transportation	Contact local vendor
	Cleaner does not match local rated voltage	Contact local vendor

## VII. Packing List

Item	Name	Quantity (pc)	Remarks
1	Cleaner	1	In carton
2	Power supply unit	1	In carton
3	Manual & certificate	1	
4	Brush	1	

## VIII. Warranty

This product has passed all quality control and safety tests, conducted by the technical department of the factory

Warranty: 2 years on motor and electrical parts.